

ROTEC

VersaTech Med-Surg XL

Ultra-Low Bed with VersaDrive assist system option design to accommodate a 39" mattress to offer better comfort to a wider range of patients.



Model V700 ULB / ULB+

User manual

Do not use the bed and its accessories without first reading this entire manual.
Illustrations are for guidance only.

Technical assistance and parts

📞 1 450 783-6444 📠 1 450 783-6446

✉ service@rotecbeds.com

📍 420, route Marie-Victorin,
Baie-Du-Febvre (Québec) J0G 1A0, Canada

DOC01-V7ULB+
Published: 2025-04-01

TABLE OF CONTENT

- 1. GENERAL.....5**
- 1.1. Symbols5
- 1.2. Intended use7
- 1.3. Illustration of the device9
- 1.4. Characteristics10
- 1.5. Optional features10
- 1.6. Intended accessories10
- 1.7. Mechanical specifications10
- 1.8. Certifications11
- 1.9. Electrical certifications10
- 1.10. Storage and handling10
- 1.11. Electromagnetic compatibility (EMC)12
- 1.12. Bed Labeling13

- 2. INSTALLATION15**
- 2.1. Powering the device15
- 2.2. Verification before putting into service16
- 2.3. Positioning in the operating environment.....17
- 2.4. Installation/Replacement of the mattress.....18

- 3. OPERATING INSTRUCTIONS19**
- 3.1. Electrical functions of the bed19
- 3.2. Moving the device.....22
- 3.3. Side rails24
- 3.4. Angle indicators25
- 3.5. Length extension of the platform26
- 3.6. Head and foot boards27
- 3.7. Adjustment of the foot section angle27
- 3.8. IV poles receptacle28
- 3.9. Drainage bag receptacle29
- 3.10. Openings for restraint belts30
- 3.11. Installation of the trapeze bar (option).....30
- 3.12. Traction frame receptacle31
- 3.13. Mechanical CPR function32
- 3.14. Nurse call and DB37 output33
- 3.15. Integrated scale (option)34
- 3.16. Bed exit detection system (option)35
- 3.17. VersaDrive motorized wheel (option)36
- 3.18. Auxiliary outlet (option)41

- 4. MAINTENANCE42**
- 4.1. Cleaning42
- 4.2. Preventive maintenance43
- 4.3. Disposal of the device at end of life.....44
- 4.4. Troubleshooting guide45

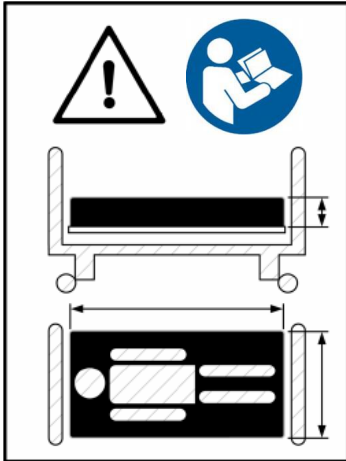
- 5. WARRANTY AND RETURN POLICY 48**
- 5.1. Limited warranty 48
- 5.2. Return policy 49

- 6. REPAIR PROCEDURES 50**
- 6.1. Replacing the QLCI (scale circuit) 50
- 6.2. Replacing the main circuit or its battery 51
- 6.3. Replacing the VersaDrive battery 52
- 6.4. Replacing the power cord..... 54
- 6.5. Replacing the nurse call port..... 56
- 6.6. Replacing the siderail assembly 57
- 6.7. Replacing the foot structure extension..... 58
- 6.8. Replacing a wall bumper 59
- 6.9. Replacing the bed caster 60
- 6.10. Replacing the load cell..... 63
- 6.11. Replacing the foot section motor 65
- 6.12. Replacing the backrest motor 67
- 6.13. Replacing the high/low motor 69
- 6.14. Replacing the CPR handle 71
- 6.15. Replacing the CPR control cable..... 72
- 6.16. Replacing the foot lift frame motor..... 73
- 6.17. Replacing the head lift frame motor 76

1. GENERAL

1.1. Symbols

On the device labels



Symbol indicating that the mattress dimensions are very important to respect and to consult the user manual to know the characteristics.



Symbol illustrating the patient's maximum weight allowed on the device.



Symbol illustrating the maximum permissible weight on the apparatus including the patient, mattress and all accessories (IV pole, trapeze, traction frame, drainage bag, etc.).



Symbol indicating to consult the user manual.



Symbol illustrating protection against liquid splashes



Symbol indicating a type B electrical protection.



Symbol illustrating the CSA (Canadian Standards Association) Seal of Approval.



Symbol indicating this is a Class I grounded electrical device.



Symbol indicating that the electrical power must be alternating current.



Symbol meaning that the manufacturer or importer affirms the product's conformity with European health, safety, and environmental protection standards.



Symbol indicating a European medical device.



Symbol indicating a Class I medical device (low risk).



Symbol indicating that the item should not be disposed of in the garbage and must be recycled properly.

*For symbols of the keypads and buttons, refer to Section 3

In this manual



Warning:

Used when special attention must be given to the information to prevent injury and/or potential failure.

Abbreviations

CPR: Cardiopulmonary Resuscitation

SWL: Safe Working Load

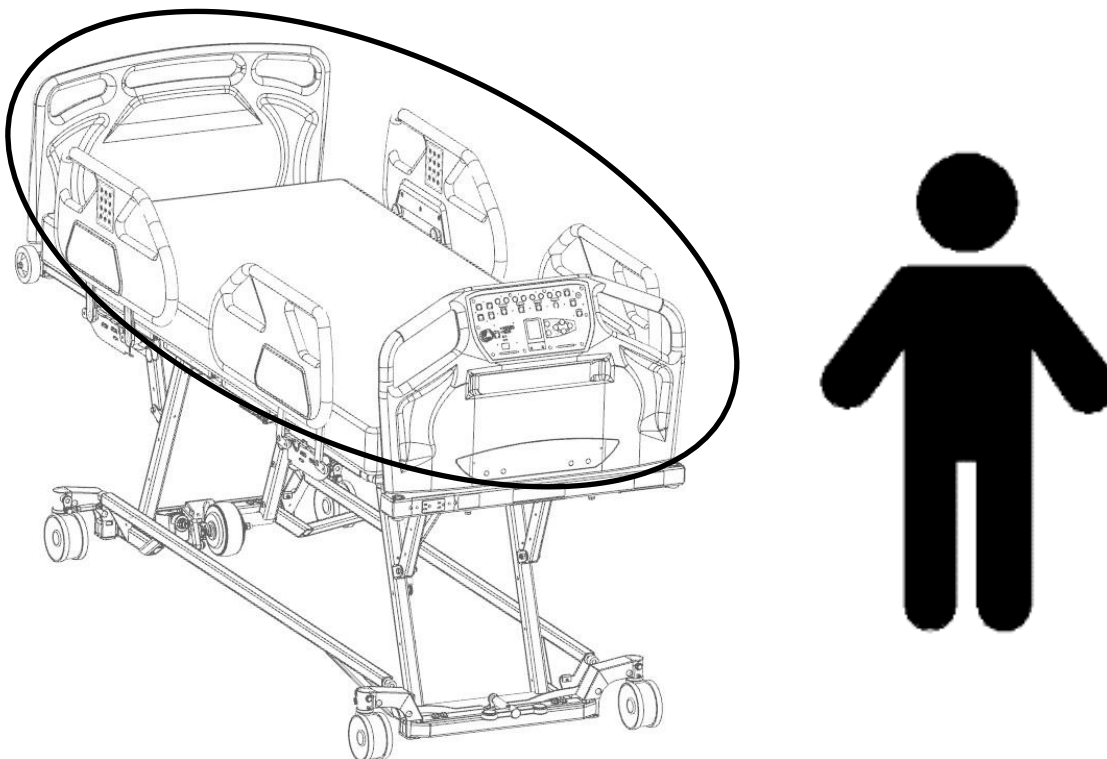
1.2 Intended use

This manual has been designed to assist you in using the VersaTech 700 ULB+ bed from Rotec. Make sure to read this document before using the device to ensure safe and risk-free use.

This manual is an integral part of the device and must always accompany the unit during sale or transfer. It should always be accessible to medical and maintenance personnel.

Domain: This device should never be used in the presence of flammable anesthetic gas mixed with air or oxygen or nitrous oxide. This device is designed for use in medical care environments such as hospitals or other medical facilities requiring medical surveillance and, if necessary, control measures. It is intended for medical procedures, including treatment, diagnosis, supervision, and maintaining or improving a patient's condition. This includes intensive care, ambulatory care, and both short- and long-term medical care. It is not designed for home use. This device must never be used in the presence of flammable anesthetic gas mixed with air, oxygen, or nitrous oxide.

Applied parts: The parts of the device expected to be in contact with the patient and the operator include the headboard, footboard, side rails, interface, platform, and any accessories designed for use with the device.



Patient: Patients are intended to use a subset of the device's functions via internal controls. The device is designed for adult patients over **4 ft (1.22 m) in height** and weighing between **70 lb (32 kg) and 600 lb (272 kg)**. This bed is not designed for patients with behavioral or mental health conditions.

Operator: The operator of this device is expected to be a healthcare professional, such as a nurse, a doctor, or caregiver. The operator must be capable of understanding and applying the instructions provided in this manual. Additionally, it is expected that the patient can access some functions while in the bed.

Life cycle: This device is designed for a lifespan of 10 years under normal operating conditions and usage (refer to the specifications and conditions of use in the following sections).

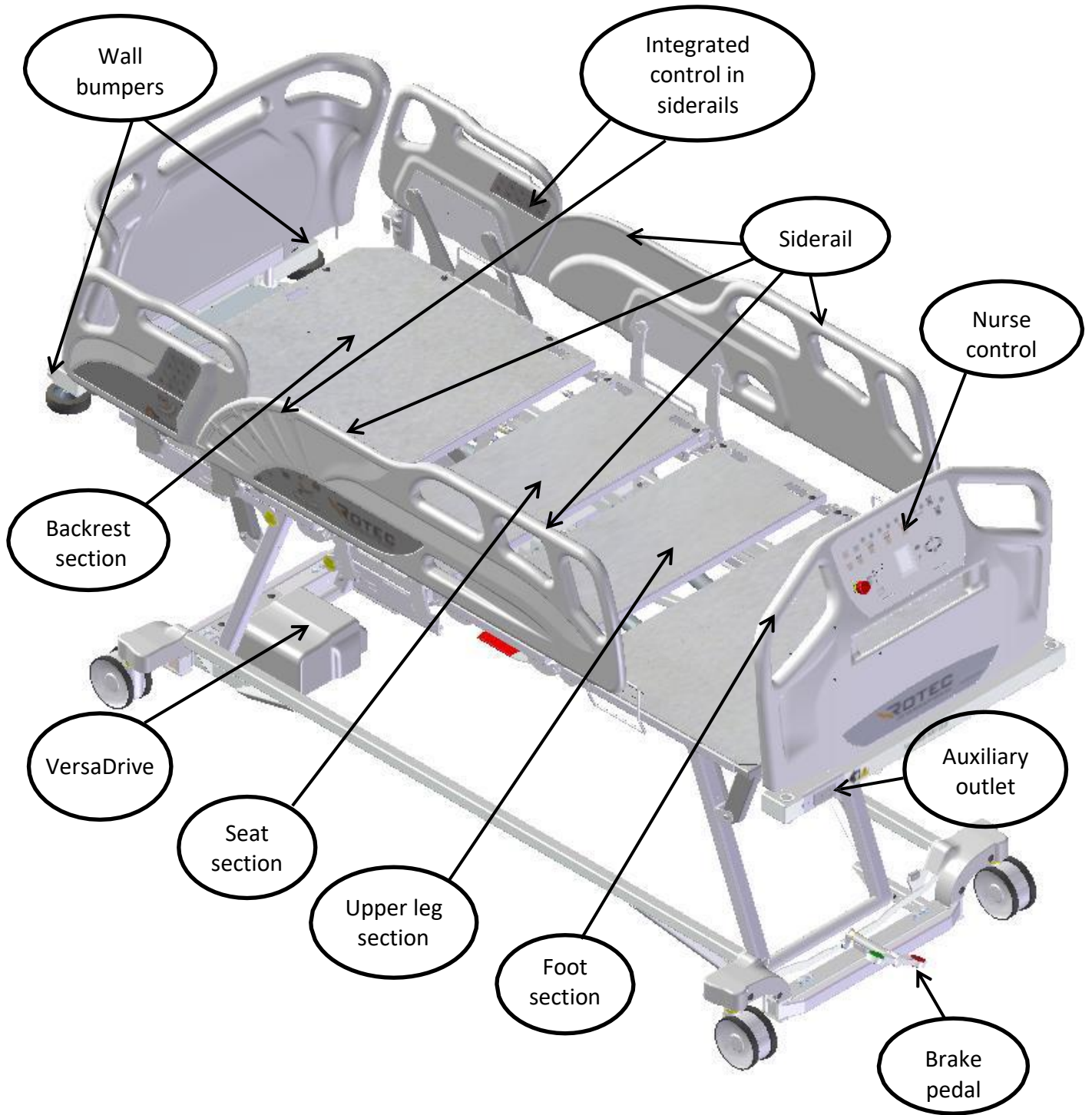
Rotec cannot be held liable for any damage or injury resulting from negligence or improper use of its products. Additionally, all illustrations provided in this document are for reference purposes only.




WARNINGS ABOUT THE INTENDED USE

- This device is not intended for pediatric use. Using it in such cases presents a serious **RISK OF ENTRAPMENT, WHICH COULD LEAD TO DEATH.**
- It is essential to read this manual thoroughly and ensure proper staff training before using the bed and its accessories to prevent **ANY INJURY** to both the user and the staff.

1.3 Illustration of the device



<p>1.4 Characteristics</p>	<p>1.6 Intended accessories</p>																																				
<ul style="list-style-type: none"> • Adjustable height of the bed • Inclined bed frame (Trendelenburg) • Length-adjustable base • Reclining backrest section • Reclining thigh section • 2-position manual tilt foot section • Mobile device on 12.7cm (5") diameter antistatic wheels • Synchronize brake system with directional function on wheel • Traction frame receptacle • IV pole receptacle • Drainage bag receptacle • Restraint strap receptacle • Trapeze bar receptacle • Power cable holder • Composite head and foot boards, removable without any tools • Composite half-rail with integrated corner indicators • Back up battery for temporary autonomy • Integrated foot mattress retainer • Removable hand control. • Controls in footboard and siderails • Electrical CPR function • Mechanical CPR Function • Auto-contour feature • Cardiac chair position • Under bed light • Nurse call <p>1.5 Optional features</p> <ul style="list-style-type: none"> • Motorized VersaDrive wheel • Additional hand control • Transportation trolley • Auxiliary power outlet • Integrated scale and bed exit detection (three zone egress detection) <p><i>Optional features may change the dimensions. The dimensions specified herein do not consider manufacturing tolerances.</i></p>	<ul style="list-style-type: none"> • Mattress, 9 kg (20 lb) • Trapeze bar, 11 kg (23 lb) • IV Pole, 0.5 kg (1.1 lb) • Drainage bag* • Traction frame* • Restraint strap * <p><i>* product not available by the device manufacturer.</i></p> <p>1.7 Mechanical specifications</p> <p>Maximum load capacity</p> <table style="width: 100%; border-collapse: collapse;"> <tr> <td style="padding-right: 20px;">Patient:</td> <td>273 kg (600 lb)</td> </tr> <tr> <td>Trapeze:</td> <td>77 kg (170 lb)</td> </tr> <tr> <td>IV pole support:</td> <td>10 kg (22 lb)</td> </tr> <tr> <td></td> <td>5 kg per hook</td> </tr> <tr> <td>Total (SWL):</td> <td>318 kg (700 lb)</td> </tr> </table> <p>Device weight without accessories: 247.7 kg (545 lb)</p> <p>Overall dimension</p> <table style="width: 100%; border-collapse: collapse;"> <tr> <td style="padding-right: 20px;">Width:</td> <td>110 cm (43 3/8")</td> </tr> <tr> <td>Length:</td> <td>237 cm / 247 cm / 257 cm (93 1/8" / 97 1/8" / 101 1/8")</td> </tr> </table> <p>Dimension of the mattress support platform</p> <table style="width: 100%; border-collapse: collapse;"> <tr> <td style="padding-right: 20px;">Minimum height:</td> <td>21.6 cm (8 1/2")</td> </tr> <tr> <td>Maximum height:</td> <td>81.3 cm (32")</td> </tr> <tr> <td style="padding-right: 20px;">Width:</td> <td>96.5 cm (38")</td> </tr> <tr> <td>Length:</td> <td>203 cm / 213 cm / 223 cm (80" / 84" / 88")</td> </tr> </table> <p>Maximum inclination angle</p> <table style="width: 100%; border-collapse: collapse;"> <tr> <td style="padding-right: 20px;">Back section:</td> <td>70°</td> </tr> <tr> <td>Thighs section:</td> <td>30°</td> </tr> <tr> <td>Foot section:</td> <td>16°</td> </tr> <tr> <td>Trendelenburg:</td> <td>±15°</td> </tr> </table> <p>Recommended mattress</p> <table style="width: 100%; border-collapse: collapse;"> <tr> <td style="padding-right: 20px;">Length:</td> <td>203 cm / 213 cm / 223 cm (80" / 84" / 88")</td> </tr> <tr> <td>Thickness:</td> <td>12.7 to 15.2 cm (5" to 6")</td> </tr> <tr> <td>Width:</td> <td>99 cm (39")</td> </tr> </table>	Patient:	273 kg (600 lb)	Trapeze:	77 kg (170 lb)	IV pole support:	10 kg (22 lb)		5 kg per hook	Total (SWL):	318 kg (700 lb)	Width:	110 cm (43 3/8")	Length:	237 cm / 247 cm / 257 cm (93 1/8" / 97 1/8" / 101 1/8")	Minimum height:	21.6 cm (8 1/2")	Maximum height:	81.3 cm (32")	Width:	96.5 cm (38")	Length:	203 cm / 213 cm / 223 cm (80" / 84" / 88")	Back section:	70°	Thighs section:	30°	Foot section:	16°	Trendelenburg:	±15°	Length:	203 cm / 213 cm / 223 cm (80" / 84" / 88")	Thickness:	12.7 to 15.2 cm (5" to 6")	Width:	99 cm (39")
Patient:	273 kg (600 lb)																																				
Trapeze:	77 kg (170 lb)																																				
IV pole support:	10 kg (22 lb)																																				
	5 kg per hook																																				
Total (SWL):	318 kg (700 lb)																																				
Width:	110 cm (43 3/8")																																				
Length:	237 cm / 247 cm / 257 cm (93 1/8" / 97 1/8" / 101 1/8")																																				
Minimum height:	21.6 cm (8 1/2")																																				
Maximum height:	81.3 cm (32")																																				
Width:	96.5 cm (38")																																				
Length:	203 cm / 213 cm / 223 cm (80" / 84" / 88")																																				
Back section:	70°																																				
Thighs section:	30°																																				
Foot section:	16°																																				
Trendelenburg:	±15°																																				
Length:	203 cm / 213 cm / 223 cm (80" / 84" / 88")																																				
Thickness:	12.7 to 15.2 cm (5" to 6")																																				
Width:	99 cm (39")																																				

1.8 Certifications	Electrical specifications suite											
<ul style="list-style-type: none"> • CAN/CSA-C22.2 No. 60601-1:14 • CAN/CSA C22.2 No. 60601-1-6:11+AMD1:2015 • CAN/CSA C22.2 No. 60601-2-52:11+AMD1:2017 • ANSI/AAMI ES60601-1:2005/(R)2012 - AND A1:2012, C1:2009/(R)2012 AND A2:2010/(R)2012 (Consolidated text - edition 3.1) • IEC60601-1-6:2006 + A1: 2013 • IEC60601-2-52:2009+A1:2015 • European CISPR 11 :2015+A1 :2016/EN 55011 :2016+A12017, Class A, Group 1 	<p>Model: VersaTech 700 ULB+</p> <p>Isolation: Class I Power: 120/220/230/240 VAC Frequency: 50/60 Hz Current Rating: <u>120V Model</u> With auxiliary outlet: 8.75A With VersaDrive: 4.65A With VersaDrive & auxiliary outlet: 9.65A</p> <p><u>220/230/240V Model</u> With Outlet: 6.25A With VersaDrive: 4.65A With VersaDrive & auxiliary outlet: 7.15A</p> <p>Protection: IPX4 Duty cycle: 10% maximum (2 min. / 18 min.)</p> <p>Maximum acoustic sound pressure: < 59.5 dBa Scale accuracy ±1 kg (2 lb). (when installed): Min: 32 Kg (70 lb) e: 0.5 Kg CE Class III Scale</p>											
<p>1.9 Electrical specifications</p>	<p>1.10 Storage and handling</p>											
<table border="1"> <tr> <td>Model</td> <td>VersaTech 700 ULB</td> </tr> <tr> <td>Insulation:</td> <td>Class II</td> </tr> <tr> <td>Rated voltage:</td> <td>120/220/230/240 vac</td> </tr> <tr> <td>Cycles:</td> <td>50/60 Hz</td> </tr> <tr> <td rowspan="2">Maximum current:</td> <td><u>120V model</u> Without VersaDrive and auxiliary outlet: 4.5A</td> </tr> <tr> <td><u>220/230/240V model</u> Without VersaDrive and auxiliary outlet: 4.5A</td> </tr> </table>	Model	VersaTech 700 ULB	Insulation:	Class II	Rated voltage:	120/220/230/240 vac	Cycles:	50/60 Hz	Maximum current:	<u>120V model</u> Without VersaDrive and auxiliary outlet: 4.5A	<u>220/230/240V model</u> Without VersaDrive and auxiliary outlet: 4.5A	<p>Operating environment Temperature 5 to 40 °C Relative humidity 15% to 95% (Non-condensing) Atmospheric pressure 70kpa à 106kpa</p>
Model	VersaTech 700 ULB											
Insulation:	Class II											
Rated voltage:	120/220/230/240 vac											
Cycles:	50/60 Hz											
Maximum current:	<u>120V model</u> Without VersaDrive and auxiliary outlet: 4.5A											
	<u>220/230/240V model</u> Without VersaDrive and auxiliary outlet: 4.5A											
<div style="text-align: center;">  </div> <p>Note that ULB+ model is a Class I device and must be plugged in a grounded outlet. Connecting the device to a supply network that has no grounding terminal increases RISK OF ELECTRICAL SHOCK.</p>	<p>Storage environment Temperature - 40 to 70 °C Relative humidity 10% to 100% (Non-condensing) Atmospheric pressure 70kpa to 106kpa</p>											

 **WARNINGS ABOUT FEATURES AND SPECIFICATIONS**

- Ensure that the bed height allows for safe and easy entry and exit from the device. Otherwise, there is a **RISK OF FALLING**, which could result in **SERIOUS INJURY**.
- Before fully lowering the bed, make sure no part of the patient’s body extends beyond or is underneath the bed to prevent **SERIOUS INJURY AND/OR POTENTIAL DAMAGE** to the device.

1.11 Electromagnetic Compatibility (EMC)

This hospital bed complies with the following electromagnetic compatibility standards.

Test Name Standards	Compliance
CISPR 11 (2015) A1 (2016) Conducted Emissions	Group 1 - class B 150kHz-30MHz
CISPR11 (2015) A1 (2016) Radiated Emissions (Prescan 3m)	Group 1 - class B 30MHz-1GHz
CISPR11 (2015) A1 (2016) Radiated Emissions (10m)	Group 1 - class B 30MHz-1GHz
IEC 61000-3-2 (2018) Harmonic Current Emission Limits	Class A
IEC 61000-3-3 (2013) A1 (2017) Voltage Fluctuations and Flicker Limitations	Observation Pst: 10 min. Observation Plt: 120 min
IEC 61000-4-2 (2008) Electrostatic Discharge Immunity	Contact: $\pm 8\text{kV}$. Air: $\pm 2\text{kV}$, $\pm 4\text{kV}$, $\pm 8\text{kV}$, $\pm 15\text{kV}$
IEC 61000-4-3 (2020) Radiated Electromagnetic Field Immunity	80MHz-2.7GHz: 3V/m
IEC 60601-1-2(2014) Proximity fields from RF equipment	385MHz: 27V/m
	710MHz, 745MHz, 780MHz: 9V/m
	450MHz, 810MHz, 870MHz, 930MHz: 28V/m
	1.72GHz, 1.845GHz, 1.97GHz, 2.45GHz: 28V/m
	5.24GHz, 5.5GHz, 5.785GHz: 9V/m
IEC 61000-4-4 (2012) Electrical Fast Transient Immunity	Power: $\pm 2\text{kV}$ / 100kHz, I/O Ports: $\pm 1\text{kV}$ / 100kHz, Communication Ports: N/A
IEC 61000-4-5 (2014) A1 (2017) Surge Immunity	Power: $\pm 2\text{kV}$ L-PE / $\pm 1\text{kV}$ LL, I/O Ports: N/A, Communication Ports: N/A
IEC 61000-4-6 (2013) Immunity to Conducted Disturbances, Induced by RF Fields	Power: 3V, I/O Ports: 3V, Communication Ports: 3V, ISM Bands: 6V
IEC 61000-4-8 (2009) Power Frequency Magnetic Field Immunity	Continuous Field: 30A/m / 50Hz & 60Hz
IEC 61000-4-11 (2020) Voltage Dips, Short Interruptions and Voltage Variation Immunity on AC Input	Voltage dips:
	0%Un during half cycle
	0%Un during 1 cycle
	70%Un during 25 cycles (at 50Hz)
Short interruptions:	0%Un during 250 cycles(at 50Hz)



WARNINGS ON ELECTROMAGNETIC COMPATIBILITY



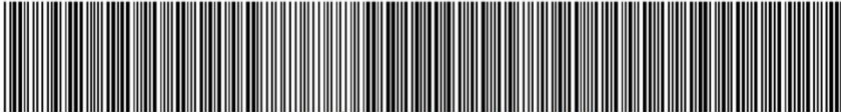
- Portable RF communication equipment, including peripherals such as antenna cables and external antennas, **must be kept at least 12 inches (30 cm) away** from any part of the bed, including its cables.
- Avoid stacking or placing equipment adjacent to other devices to prevent improper operation. If stacking or adjacency is necessary, carefully monitor the equipment to ensure proper functionality.
- The use of accessories, transducers, or cables other than those specified or provided by the manufacturer **may increase electromagnetic emissions, reduce electromagnetic immunity**, and result in improper operation.

1.12 Bed Labeling





Bed Identification Label with UDI

On the bed identification label information like address of the manufacturer, manufacturing date, UDI code, Symbols, product model, product serial number, electrical specification, foreign country representative, and other relevant information can be found on it.

Example of label with HIBCC UDI code:




	FABRIQUÉ PAR / MADE BY Usine ROTEC inc. 123, de l'Église Baie-du-Febvre, QC. J0G 1A0		
	 <p style="text-align: center;">+B303E0420/\$\$+7096559/16D20241029E</p>		
MOD. VERSATECH xxxULB+		xxx X xxx 2024-10-29	Charge/Load 318 kg (700 lbs)
SER. XXXXXX AMPS: 9.65 VOLT: 120~ HZ: 60			
Cycle d'utilisation / Duty cycle: 10% Fabriqué au Canada / Made in Canada			= = =

Example of label with GS1 UDI code:

FABRIQUÉ PAR / MADE BY Usine ROTEC inc. 123, de l'Église Baie-du-Febvre, QC. J0G 1A0	 2862 CLASS Im			
PART# V7ULB+-UK-1000	(01)7540161720094(21)096817(11)241216			
MOD. VERSATECH xxx ULB		xxx X xxx 2024-12-16	Charge/Load 318 kg (700 lbs)	
SER. XXXXXXXXX AMPS: 4.5 VOLT: 220/230/240~ HZ: 50				
Cycle d'utilisation / Duty cycle: 10% Fabriqué au Canada / Made in Canada			= = =	

Scale system Label:

The scale system label contains the required regulatory information pertaining to the weighing system of the bed equipped with the scale feature.

Class II Scale System	
Non-Automatic Weighing Instrument - 2014/31/EU QLCI2: Cert No. 0200-NAWI-05936 Revision 1	
ROTEC 123 Rue de l'Église Baie-du-Febvre, Qc, Canada J0G1A0	
 	
Max: 500Kg, Min: 100kg, e: 0.5Kg Operating temperature: +5° to +40°C	
See other label and User's Manual for additional information	

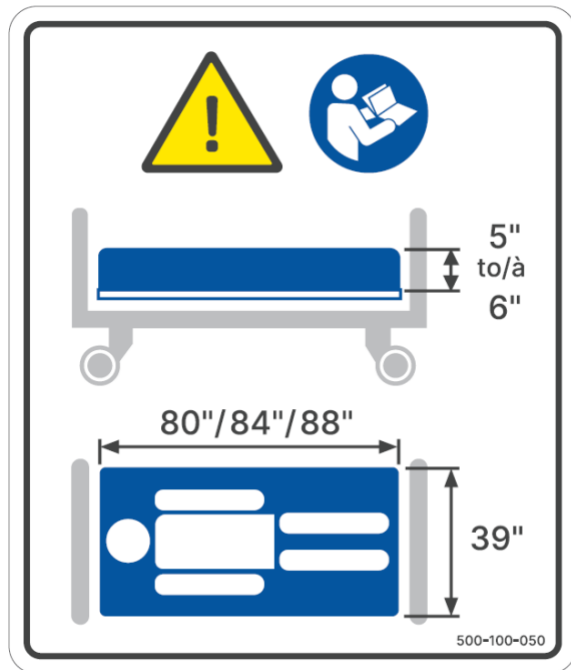
Bed load capacity label:

V700 ULB / ULB+



Recommended mattress size label:

V700 ULB / ULB+



2. INSTALLATION

2.1. Powering the device

The primary voltage of the device can always be safely disconnected by unplugging the unit's power cable from the designated wall socket. Ensure that the power cable remains easily accessible at all times.

Note that this device is Class I and must be plugged into a grounded outlet.



WARNINGS ABOUT POWER TO THE UNIT

- Connecting the device to a power supply network without a grounding terminal increases the **RISK OF ELECTRIC SHOCK**.
- If a significant amount of liquid is accidentally spilled on electronic components, cables, or motors, their functionality may be compromised. In such cases, immediately disconnect the bed, remove the user from it, and have the bed cleaned and inspected by qualified technicians. The bed must not be returned to service until it has been properly cleaned and inspected. Failure to follow these instructions may compromise the device's integrity and result in **SERIOUS INJURY**.
- Ensure that the power cable remains in a safe location while the device is in use to prevent damage that could lead to **SERIOUS ELECTROCUTION INJURY**.

2.2. Verification before putting into service

To ensure no damage occurred during the transport of the bed, the following verifications must be performed:

- (If applicable) Check that the device's packaging is intact and has no visible damage.
- (If applicable) Unpack the device from its packaging.
- Conduct a visual inspection to confirm that the device appears to be in good condition.
- Connect the device's power cable.
- Keep the device connected for at least 48 consecutive hours.
- Verify that all functions operate according to the instructions provided in this manual (see Section 3).
- Unplug the power cable and operate the actuators to test the battery.

Note Important: The CPR function verification must be performed with a mattress and an appropriately positioned person, as it is calibrated for the intended patient weight.

If any damage or malfunction is detected, immediately contact the Technical Services Department of Rotec without hesitation.

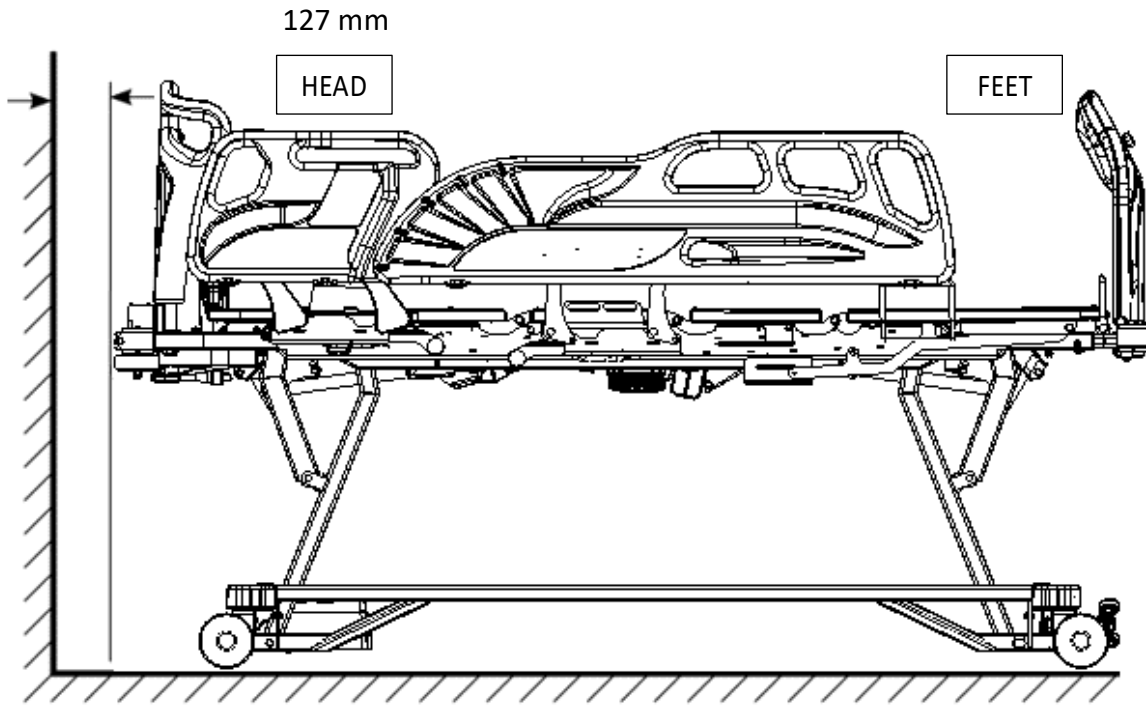


WARNINGS ABOUT VERIFICATION

- Ensure that the power cables of nearby electrical devices do not become entangled in the moving parts of the device. Failure to do so could result in **SERIOUS ELECTROCUTION INJURIES**.

2.3. Positioning in the operating environment

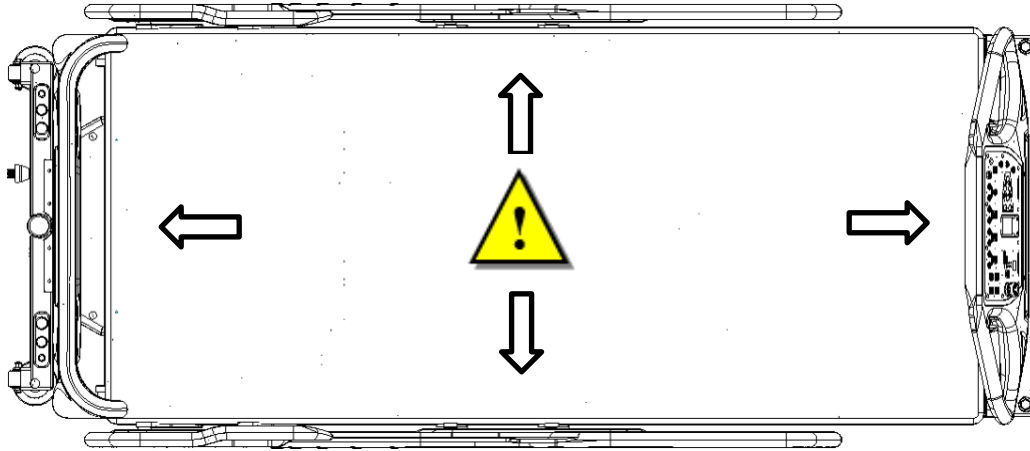
To install this bed model, place it horizontally at a minimum distance of 127 mm (5 inches) from the wall. Similarly, ensure that no objects obstruct the foot section before engaging the brakes (see Section 3.2).



This allows the bed to be used without concern for contact with the wall.

2.4. Installation/Replacement of the mattress

Use a mattress that meets the recommended specifications. Ensure that the platform configuration matches the mattress (see Mechanical Specifications).



Place the mattress on the device and insert it between the platform's rail guards. Note that the mattress must be compressed to fit properly. If not, the platform adjustment is incorrect for the mattress dimensions.
















WARNINGS ABOUT FEATURES AND SPECIFICATIONS

- Use a mattress of the correct size, properly adapted to the platform dimensions, to prevent **RISKS OF ENTRAPMENT** between the side rails and the mattress, which could result in **DEATH**.

3. OPERATING INSTRUCTIONS

3.1. Electrical functions of the bed

Symbols	Descriptions
	<p>Arrow pointing upwards: Allow upwards adjustment of the various functions of the equipment.</p>
	<p>Arrow pointing downwards: Allow downwards adjustment of the various functions of the equipment.</p>
	<p>Backrest functions: Allow tilting adjustment of the backrest section upwards or downwards.</p> <p>Press on the arrow pointing upwards or downwards located next to the symbols to switch on the motor. Release the control to stop all movement.</p>
	<p>Thigh functions: Allow tilting adjustment of the thigh section and raising or lowering the foot section.</p> <p>Press on the arrow pointing upwards or downwards located next to the symbols to switch on the motor. Release the control to stop all movement.</p>
	<p>Auto-contour functions: Allow tilting the thigh section and the backrest section and adjusting the height of the foot section upwards or downwards at the same time.</p> <p>Press on the arrow pointing upwards or downwards located next to the symbols to switch on the motor. Release the control to stop all movement.</p>
	<p>Bed height functions: Allow the height adjustment upwards or downwards of the bed.</p> <p>Press on the arrow pointing upwards or downwards located next to the symbols to switch on the motor. Release the control to stop all movement.</p> <p>Note: The buttons situated on the inside of siderails and on the remote control have a limited range on lowering the bed for safety reasons. To lower the bed to the lowest height, use the controls on the foot panel.</p>
	<p>Trendelenburg functions: Allow tilting the bed so the foot section is lower than the head section and conversely.</p> <p>Press on the arrow pointing upwards or downwards located next to the symbols to switch on the motor. Release the control to stop all movement.</p> <p>Note: the function stops when the bed is back horizontally.</p>

	<p>Locking functions: Allow locking a function of the remote control and of the patient control from the nurse control at the foot of the bed.</p> <p>Press this button to lock the function displayed nearby. A red indicator with light up above the lock symbol, indicating that the function is locked.</p> <p>The button to the side locks all moving functions of the equipment including those on the remote control, the patient control on the side of the bed, and the foot control, except for the CPR function. To activate the lock function, hold down the button for 8 seconds.</p>
	<p>Cardiac chair position: Allow the bed to be moved in a chair position. This function tilts up the back and thigh sections upwards, adjust the height of the foot upwards and tilt up the bed so the foot section is lower than the head section.</p> <p>Press this button until all functions reach their maximum positions. Release the control to stop all movement.</p> <p>Note: The complete operation may take up to 60 sec.</p>
	<p>Electric CPR function: Allow the optimum positioning of the bed to apply the cardiopulmonary resuscitation.</p> <p>Release the control to stop all movement.</p> <p>The CPR function should only be used in case of emergency only. Using this function for other purposes could lead to serious injuries to the patient or operator.</p>
	<p>Light function: This function turns on the light located underneath the bed. Press this button to turn on or off the light.</p>
	<p>Nurse call function: This function sends a signal to the nurse's station. Press this button to send the signal.</p>
	<p>Plug-in indicator light: This light indicates that the bed is plugged in a wall power outlet. Allows the battery to recharge.</p>



WARNINGS ABOUT THE USE OF ELECTRICAL FUNCTIONS

- If the user's physical condition requires it for their safety, disable the bed functions intended for patient use. Position the bed in its lowest setting, ensure the platform is horizontal, and raise the bed rails to enhance safety.
- Ensure that no part of the patient's body extends beyond the mattress and that there are no obstructions under the platform before activating the **CPR** function. **SERIOUS INJURIES** may occur if this function is used improperly.
- The CPR function should be used **ONLY IN CASE OF EMERGENCY**. Using it for any other purpose could result in **SERIOUS INJURIES** to the patient or operator.
- Always position the bed at a low height when the patient is sleeping or unattended to reduce the **RISK OF FALLS**, which could lead to **INJURIES**.
- Do not leave a table or any other object requiring access under the bed when lowering it, as this could cause **SERIOUS MECHANICAL DAMAGE**.
- Before activating any motion controls, ensure that no objects, equipment, or body parts (such as patient or staff limbs, medical equipment, etc.) are obstructing the bed's moving parts, as this could result in **SERIOUS INJURY AND/OR DAMAGE TO EQUIPMENT**.

3.2. Moving the device

To move the device, it is recommended to raise the bed of at least 150mm (6 inches) from its lowest position to facilitate access to the pedal. To operate the system, place the pedal in one of the following three positions:

DIRECTIONAL

To engage the directional mode and ensure the left-headed caster rolls in a straight line, press the green side of the pedals.



Press on the **green** side of the pedals.

NEUTRAL

To engage neutral mode, remove all restrictions and allow the bed to roll freely in all directions by positioning the pedals horizontally.



Place the pedals horizontally.

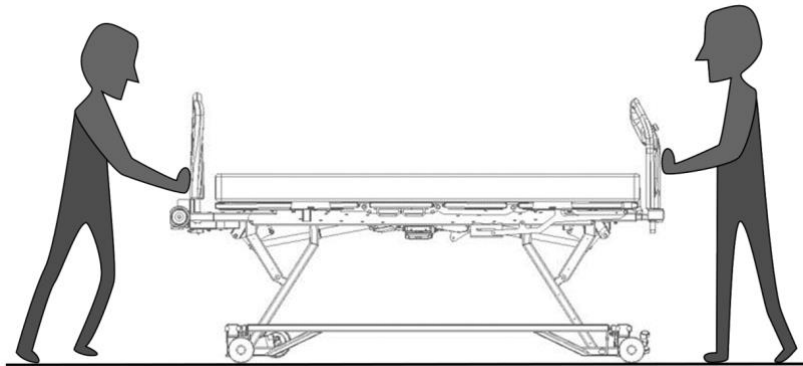
BRAKE

To engage the brakes and immobilize the bed, press down on the red side of the pedal.

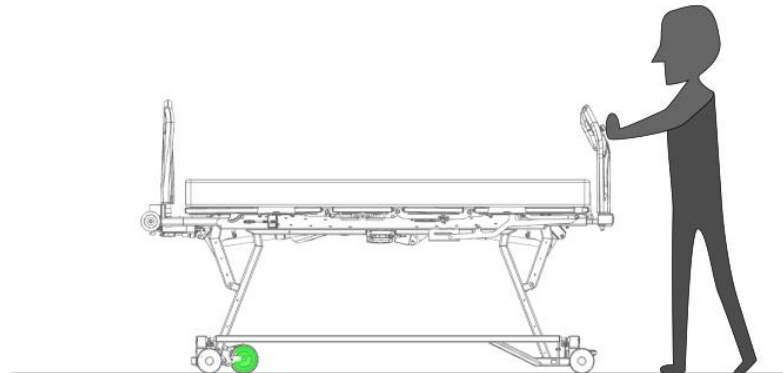


Press on the **red** side of the pedals.

When the bed is heavily loaded, it is recommended that two people move it.



However, if using the VersaDrive motorized assistance, it is best to move the bed alone.



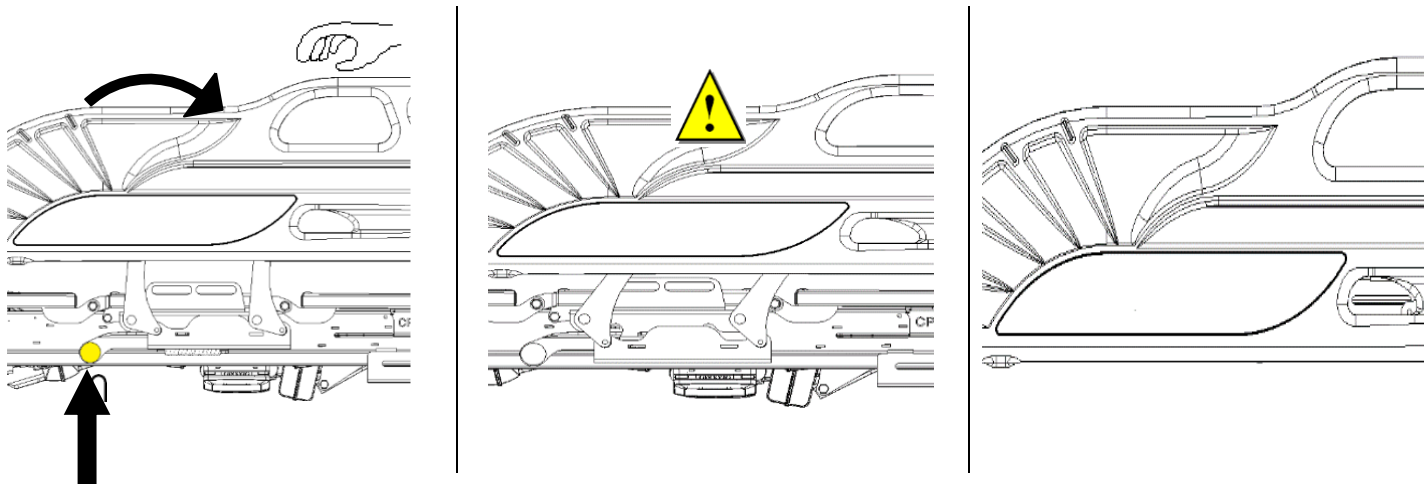


WARNINGS ABOUT THE SYNCHRONIZED BRAKE SYSTEM

- Always apply the brakes after moving the bed or when a patient is on the bed. Failure to do so could result in **INJURIES** when the patient gets in or out of bed.
- Always verify that the brakes are securely locked after activating them by attempting to move the bed.

3.3. Side rails

To lower the side rail, locate the under-frame lever, push it, and rotate the rail downward until it locks in place.



To raise the rail, pull it upward with a rotating motion until it reaches the highest position. Ensure it is securely locked by checking for side-to-side stability.



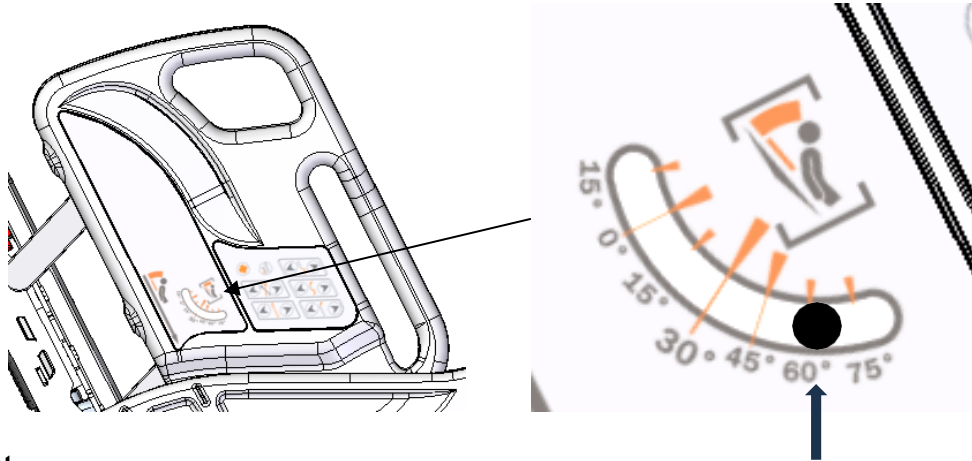
WARNINGS ABOUT SIDERAILS USE

- When raising the side rails to the closed position, always ensure they are fully locked at the highest position by attempting to move them sideways. Failure to do so may result in a **RISK OF FALLING**.
- The side rails are designed only to prevent accidental falls. They must not be used to prevent the patient from leaving the bed, assist the patient in turning over, or act as a restraint. It is the operator's responsibility to use appropriate restraints in the interest of the patient's safety.
- Ensure that nothing obstructs the movement of the side rails (such as blankets or the patient's limbs) before activating them.
- Unless otherwise medically advised by a professional, always keep the side rails up and locked while the user is sleeping or unsupervised to prevent the **RISK OF FALLING**. Additionally, it is recommended to keep the bed at its lowest height to reduce the **RISK OF INJURY** in case of a fall.
- Ensure that feet are not positioned under the bed when lowering the patient surface to its lowest setting. When the side rails are in the open (unlocked) position, they may come into contact with the ground and slightly lift.

3.4. Angle indicators

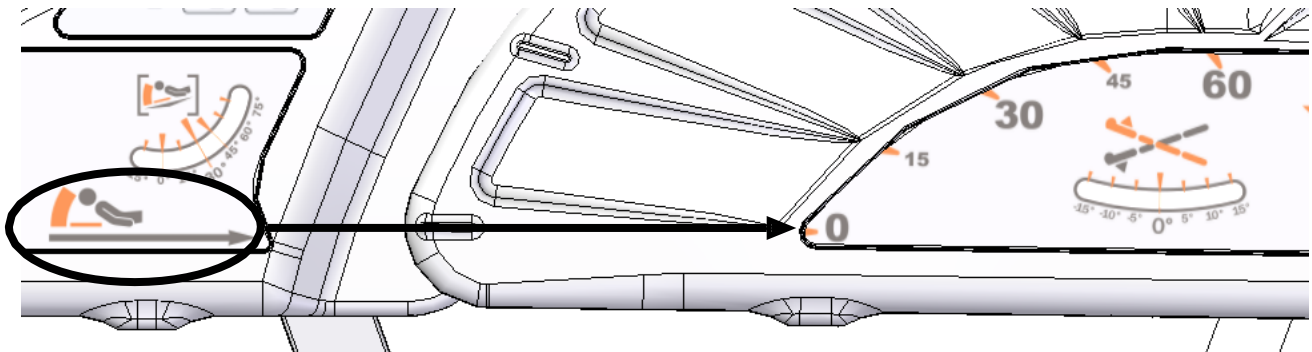
The backrest in relation to the floor

To determine the backrest's angle relative to the floor, refer to the angle indicators. The degree measurement is indicated by the ball's position at its lowest point, providing an approximate reading of the backrest's incline.



Backrest to seat

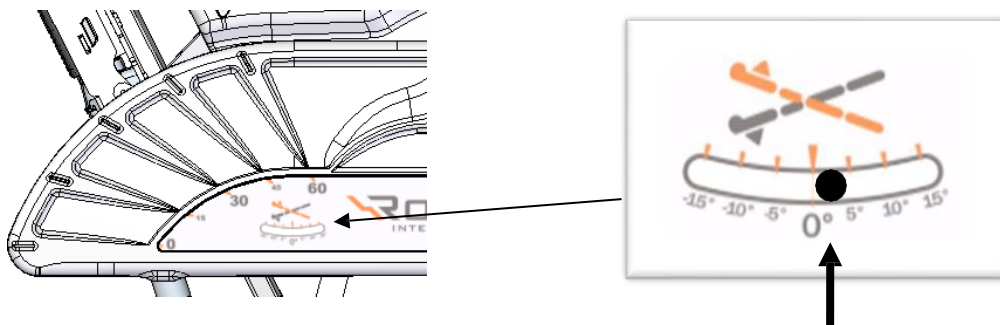
To approximate the backrest angle relative to the seat, observe the arrow on the head side pointing to the degree markings on the foot side.



Ensure the bed rails are closed and locked for accurate alignment of the arrow with the corresponding angle on the foot rail.

The Trendelenburg

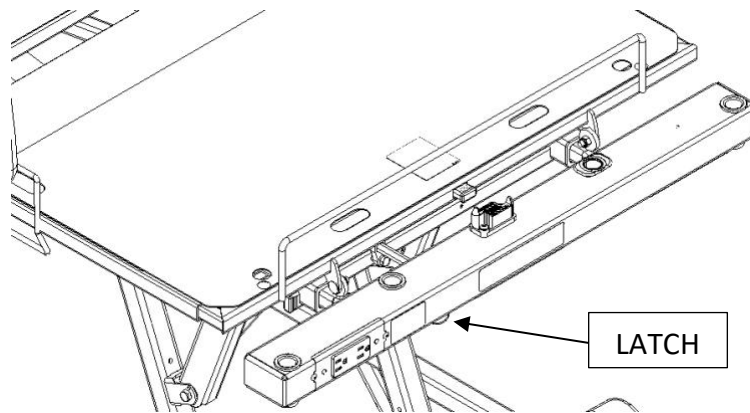
To approximate the bed's angle in Trendelenburg or Reverse Trendelenburg positions, refer to the measurement indicated by the ball at its lowest point. The degree reading shows the bed's angle in these positions.



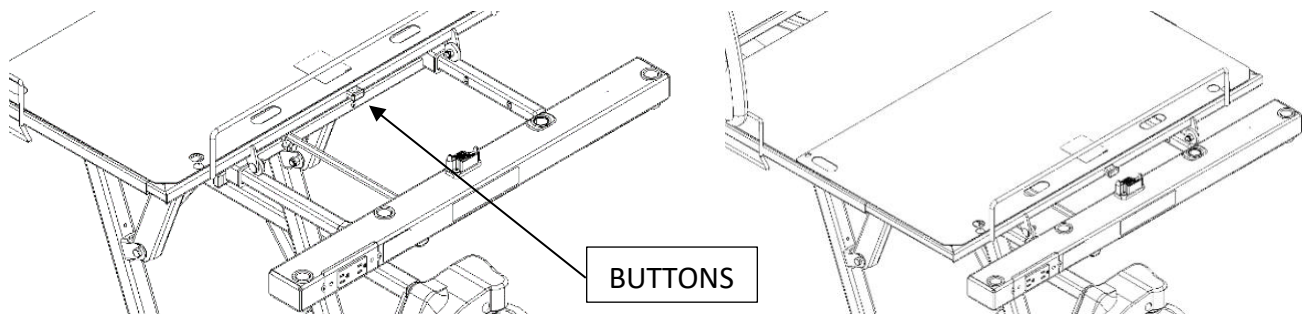
3.5. Length extension of the platform

* To facilitate the extension of the Med-Surg bed platform, it is recommended to raise the foot section to the maximum and then remove the footboard.

- 1) Press the latch which is under the foot frame extension.
- 2) Then, pull on the foot frame extension and release the latch.
- 3) The extension will lock automatically to the following mattress dimensions: 84 inches and 88 inches.



- 4) Next, using both hands, press the button in the center of the foot section of the platform and pull on the platform foot extension.
- 5) You can release the button, and the extension will lock automatically to the same dimensions: 84 inches and 88 inches.
- 6) Reposition the footboard and lower the foot section to its lowest position.

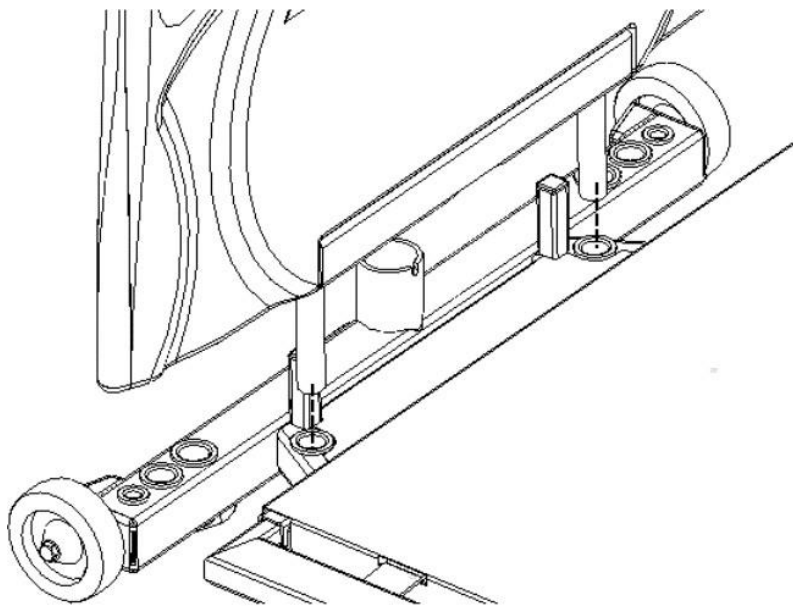
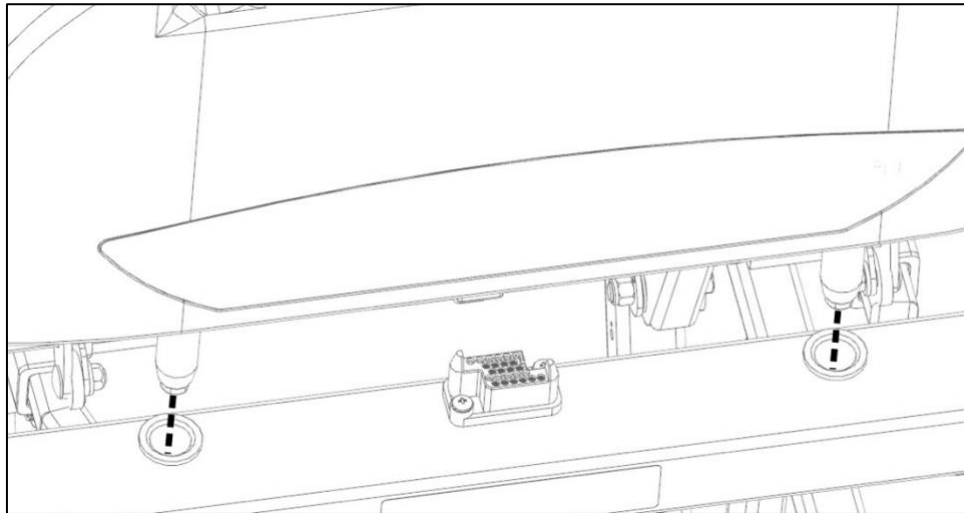


WARNING ON LENGTH EXTENSION OF THE PLATFORM

- Never extend the foot section of the platform without also extending the foot section of the structure, as this may result in **MECHANICAL DAMAGE AND/OR INJURIES**.
- After extending the platform, always ensure that its length matches the size of the mattress being used to prevent **RISKS OF ENTRAPMENT, WHICH COULD LEAD TO DEATH**.

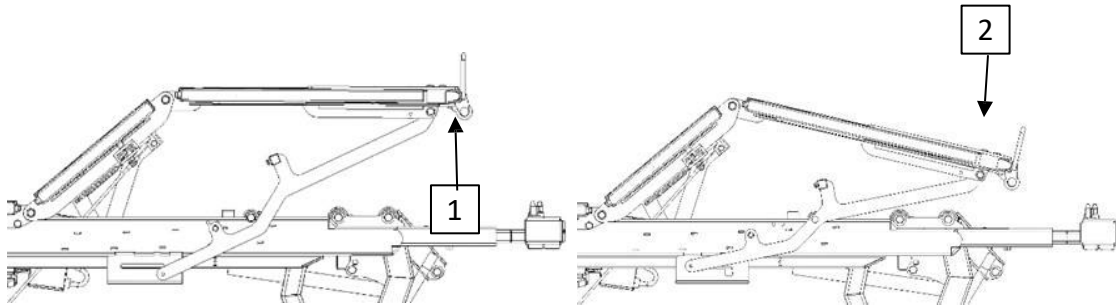
3.6. Head and foot boards

To properly install the headboard and footboard, slide the two posts, from the headboard or footboard, through the two holes provided until they reach the bottom. To remove the boards, follow the reverse procedure.



3.7. Adjustment of the foot section angle

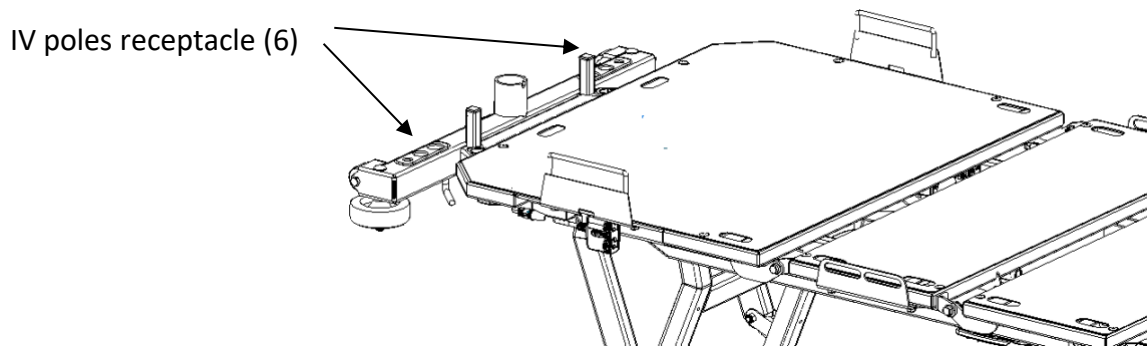
Before you adjust the foot angle on the Med-Surg XL bed, the foot section must already be elevated (step #1). Otherwise, the angle adjustment cannot be made. To adjust the angle of the foot section, raise the end of the foot section until you feel the mechanism unlock. Once it's unlocked, lower the foot section to its lowest position (step #2).



To return the foot section to a flat, horizontal position, fully lower the thigh section using the motorized controls. This will automatically bring the foot section back to a horizontal, locked position.

3.8. IV poles receptacle

The bed is equipped with six (6) IV pole holders located at the head of the structure. These holders come in three different sizes: 1/2 inch, 7/8 inch, and 1 inch diameter.

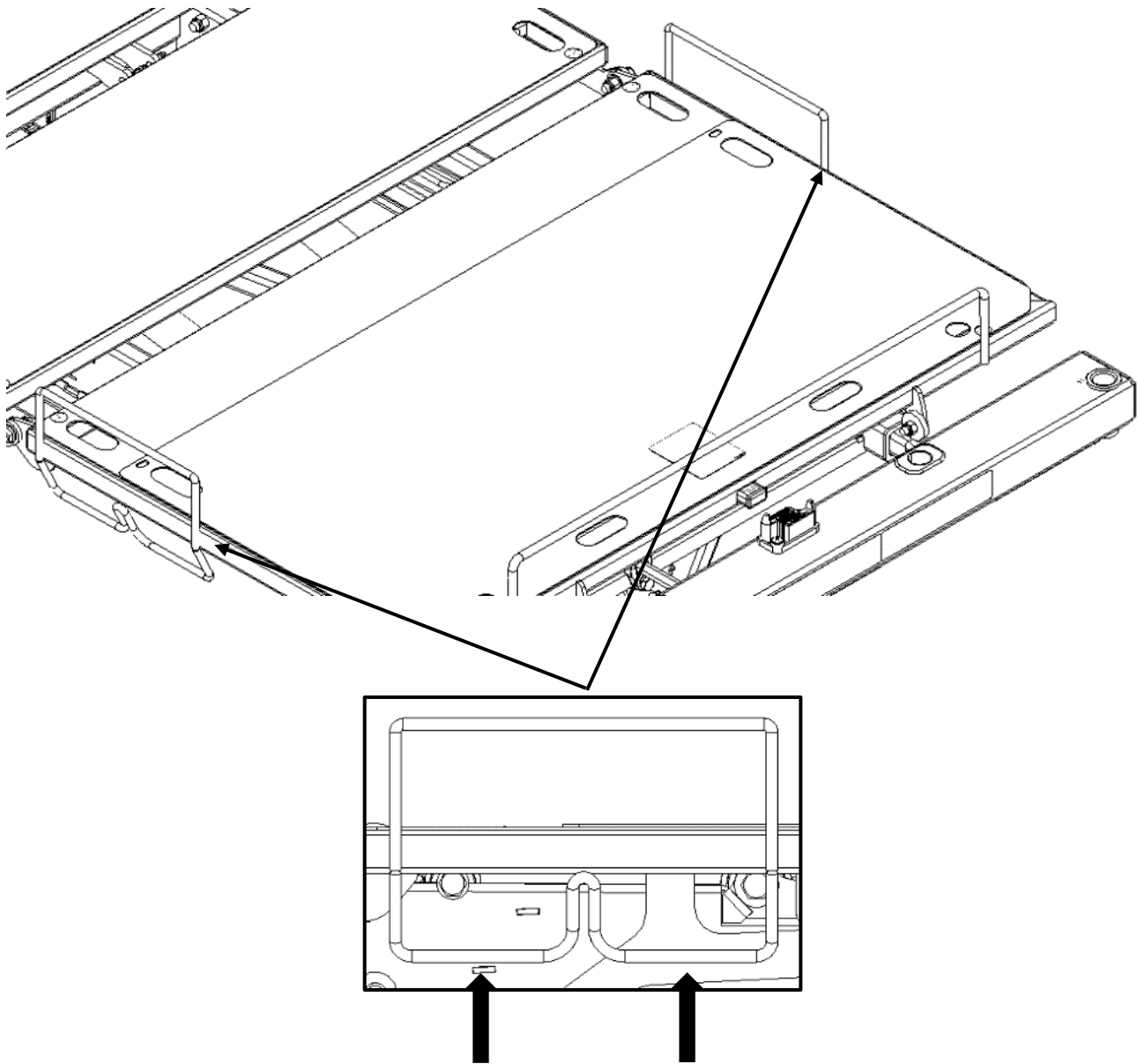


WARNING ABOUT IV POLES RECEPTACLE

- Never use the Trendelenburg function when an IV pole is installed on the bed. Doing so may cause damage to the equipment and increase the **RISK OF INJURY** to the patient.

3.9. Drainage bag receptacle

The Med-Surg XL bed has four (4) designated locations for installing a drainage bag, with two (2) on each side. Choose one of these locations to securely support the drainage bag.

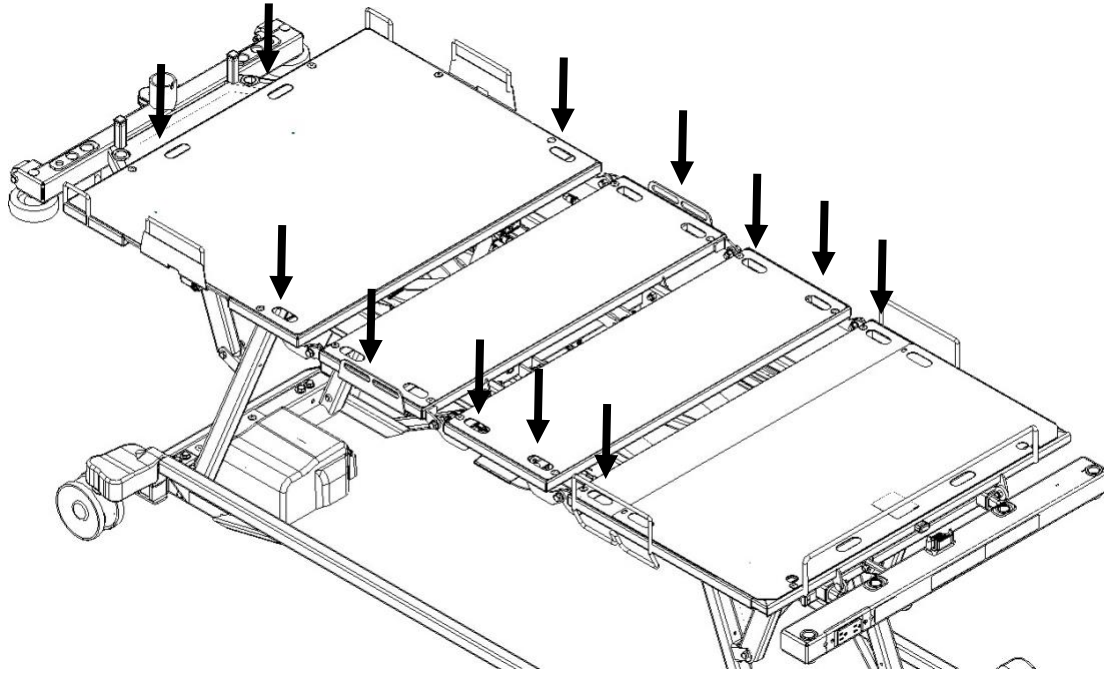


WARNING ABOUT DRAINAGE BAG

- Do not lower the device to its minimum height when a drainage bag is attached, as it may fall off and cause **INJURIES** to the patient.
- Caution: Attaching a drainage bag elsewhere on the device may result in **INJURIES** or **MATERIAL DAMAGE**.

3.10. Openings for restraint belts

Openings are located on each side of the platform. It is the responsibility of the medical staff to properly use the restraints and to select the appropriate openings for installation. We recommend attaching your restraints only at the end of the extenders according to your patient's shape and size.

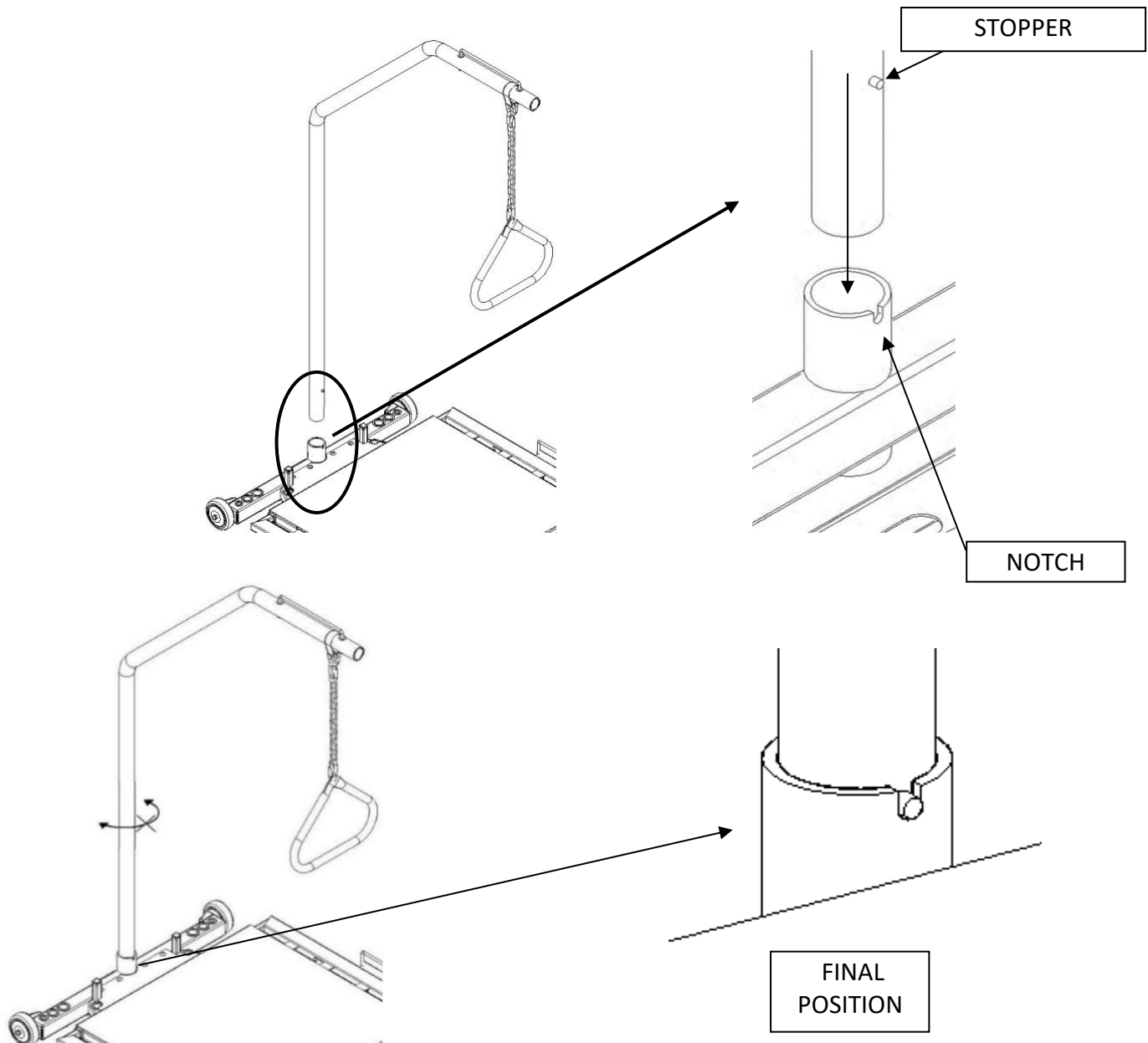


WARNINGS ABOUT THE RESTRAINT STRAPS

- Always verify that the restraints are not becoming tighter around the patient as the platform moves. Tightening may lead to a **RISK OF INJURY**.

3.11. Installation of the trapeze bar (option)

To install the trapeze bar, simply insert the bar into its designated receptacle. Be sure to align the positioning stop with the notch. The trapeze bar is designed specifically for Rotec trapezes.



Once the bar is in place, test it by attempting to turn or move it, ensuring it is securely positioned.

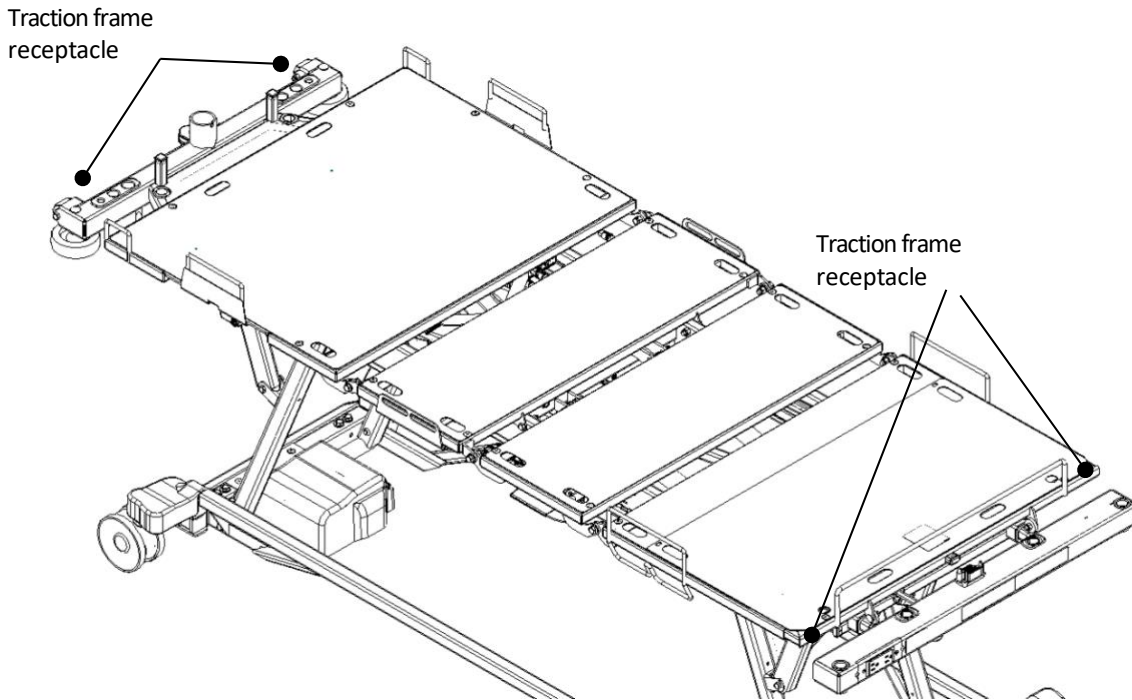


WARNING ABOUT TRAPEZE BAR

- Do not use the Trendelenburg function when the trapeze bar is installed on the bed. Doing so may cause damage to the equipment and increase the **RISK OF INJURY** to the patient.

3.12. Traction frame receptacle

To install a traction frame, use the $\frac{7}{8}$ " diameter mounting points located at the head and foot ends of the bed frame. Note that these are the same openings used for IV poles.

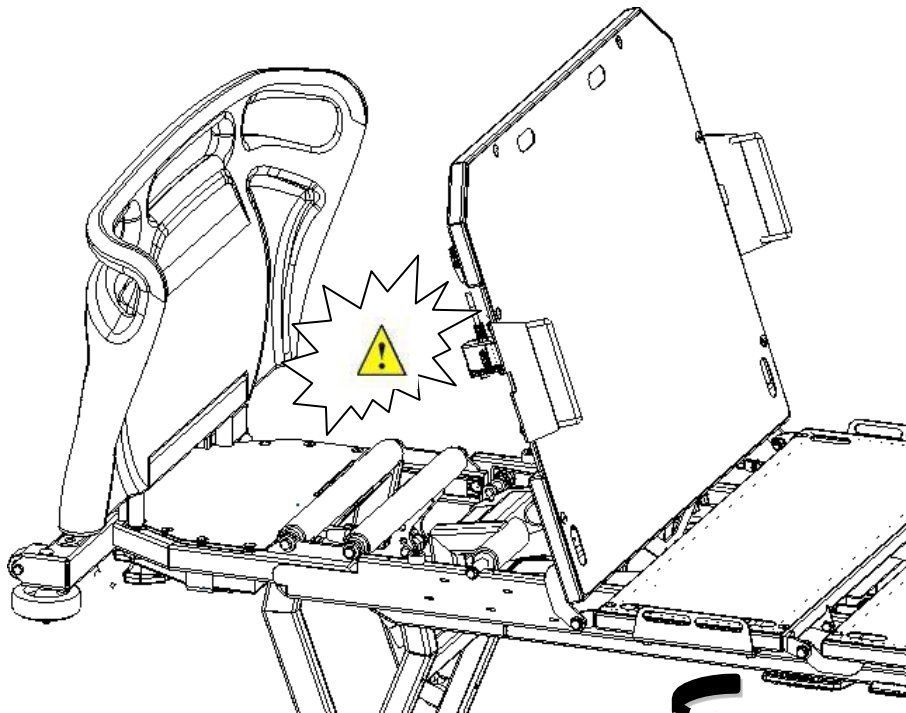


WARNING ABOUT THE TRACTION FRAME RECEPTACLE

- Do not use the Trendelenburg function when a traction frame is attached to the device to prevent **MATERIAL DAMAGE** and **RISK OF INJURIES** to the patient.

3.13. Mechanical CPR function

To activate the mechanical CPR function on the Rotec VersaTech Med-Surg XL bed, pull the handle located under the thigh section of the platform to lower the backrest section only.



WARNING ABOUT THE CPR FUNCTION

- Ensure that no part of the patient's body extends beyond the mattress and that there are no obstructions under the bed platform before activating the **CPR** function. **SERIOUS INJURIES** may occur if this function is not used properly.
- The **CPR** function should **ONLY** be used in an **EMERGENCY**. Using it for any other purpose could result in **SERIOUS INJURIES** to the patient or operator.
- The side rails must be in the raised position before activating the mechanical **CPR** function. Otherwise, the side rail mechanism could open suddenly, causing **SERIOUS INJURIES**.

3.14. Nurse call and DB37 output

Pressing the nurse call button sends a signal to the on-call station.

The bed must be connected to the wall using a DB37 communication cable, with the socket located under the frame at the head end of the bed.

Depending on the facility's system configuration, the receptacle supports the transmission of either a normally connected (NC) or normally open (NO) signal.



Note: If enabled, this receptacle also sends a signal in the event of a bed exit.

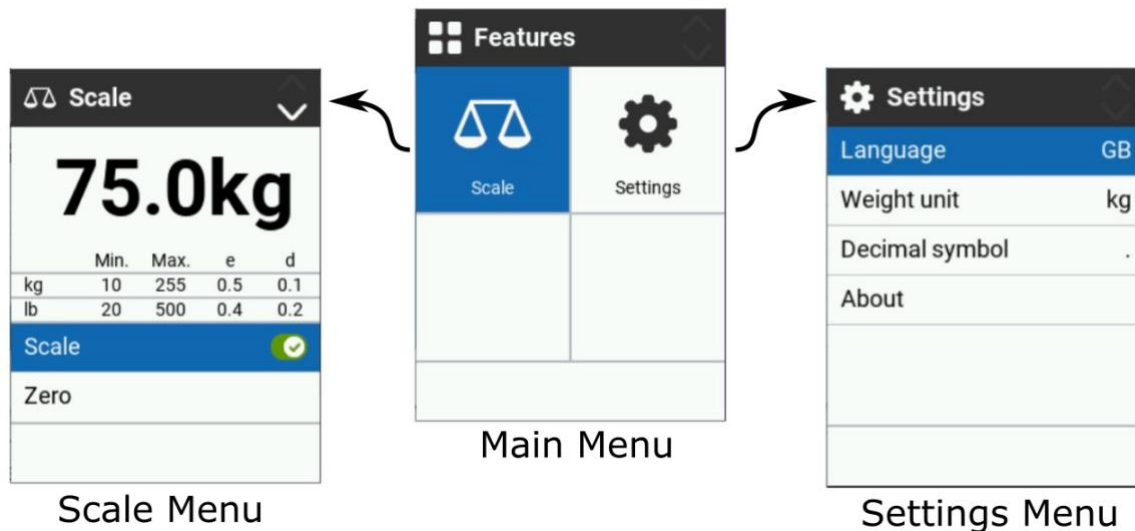


WARNING ABOUT THE DB37 OUTPUT

- Ensure that the signal is functional. A non-functional connection could result in **TREATMENT DELAYS, WHICH MAY AGGRAVATE CONDITIONS OR CAUSE INJURIES.**

3.15. Integrated scale (option)

The integrated scale lets you measure a patient's weight. Use the display and directional keys on the footboard to access its functions



Navigate menus with the arrow keys. The highlighted blue color shows your current selection.

Scale menu

To access the weighing menu, select the Scale icon from the main menu and press OK. Ensure the bed is plugged in to use the scale.

The weighing menu has two functions:

- The first one is the scale On/Off: It activates or deactivates the function.
- The second one is the function Zero: It resets the scale to zero, removing the weight of accessories and linens. This function can only be used before the patient gets on the bed.

To set the scale to 0, press OK to turn on the screen. Then, select "Scale" from the menu. Scroll down to "Zeroing the scale" and wait for the number on the screen to appear in bold. Then, press OK to confirm zeroing the scale.

Settings Menu

It is possible to change the display language as well as other parameters of the scale system.

Warning on accuracy of the scale

- The weight displayed by the scale system may vary from the patient's actual weight. The precision of the integrated scale system is $\pm 1\text{kg}$ ($\pm 2\text{lb}$). Caregivers must take this margin of error into account.
- It is advisable to align the casters in the same direction as when moving the bed, and to keep the casters locked during a series of measurements. Moving the bed or changing the orientation of the casters may change the measured value. Measurements taken before moving the bed should not be compared with those taken afterwards.



WARNING ABOUT THE SCALE SYSTEM

- Disabling the scale will also disable the bed exit or egress detection function.

3.16. Bed exit detection system (option)

The bed exit detection system requires no calibration. It alerts you to weight variations detected by the scale. To activate it, ensure the patient is in bed and stable, select the desired zone, and hold the button until the green light stops flashing. Simply press the corresponding button while the patient is in bed to enable the function.

Buttons identification



Zone 1: The Zone 1 button activates the Bed Exit Detection system. It alerts you if the bed's measured weight drops significantly, signaling that the patient may have left the bed.



Zone 2: The Zone 2 button activates the Lateral Motion Detection. This system alerts you if the patient attempts to exit the bed from the side. Be aware that it may cause false alarms if the patient is agitated or moving in their sleep. To minimize false alarms and improve accuracy, ensure the patient is centered in the bed when activating Zone 2. This function also includes the Zone 1 alert.



Zone 3: The Zone 3 button activates Frontal Movement Detection. This system alerts you if the patient attempts to exit the bed towards the foot end. Be aware that it may cause false alarms if the patient is agitated or moving in their sleep. To minimize false alarms and improve accuracy, ensure the patient is centered in the bed when activating Zone 3. This setting also includes alerts from Zone 1 and 2, making it the most sensitive option.

Alerts:

When the patient moves and activates the alert, the system provides **three (3) types of warnings:**

1. **Visual indication:** Indicator lights under the footboard interface flash red to warn staff.
2. **Buzzer:** The buzzer sounds to alert caregivers. You can activate or deactivate it by pressing and holding the Zone 1 and 2 activation buttons on the bed exit detection system. The following beeps indicate the status:
 - 1 beep = Buzzer deactivated
 - 3 beeps = Buzzer activated

*The buzzer noise level can also be adjusted by turning its cover.
3. **Alerting the on-call station:** This is done via the DB37 output connected to the facility. For details, refer to the Nurse Call and DB37 Output section.

Note that there may be a delay of **up to 5 seconds** before the alarm is triggered after motion is detected. Also, deactivating the scale will deactivate the bed exit detection system.

Important note:

The bed exit detection system **cannot be activated** while the scale is in **Weighing mode**. To activate the exit alarm, **make sure to exit the Weighing screen** beforehand.

Caution

- This system may not be suitable for all patients. Additional devices may be required.
- This apparatus does not replace visual supervision by medical staff. The manufacturer does not claim that this equipment will prevent falls. It is intended as an additional tool within a comprehensive mobility management program for residents.
- The equipment must be tested before each use. Read all instructions and legal disclaimers carefully.
- This system is not designed to replace proper medical practices, including but not limited to direct patient supervision or appropriate fall prevention training for medical staff.
- This device provides warnings when a patient leaves the bed but does not prevent falls.
- The alarm may not activate if the usage instructions are not followed.
- If the alarm is not functioning correctly, turn it off and replace it with a properly working system.
- Ensure that your facility has a clear and effective fall response management policy for falls and fall alarms.
- Whenever possible, the vendor aims to limit its liability for specific damages, accessories, or indirect economic losses related to repair or replacement of the product.
- The vendor disclaims all liability for damages, compensatory claims, or any other losses arising from the use of the product.
- This product is intended for use only by certified medical staff.

**WARNINGS ABOUT THE BED EXIT DETECTION SYSTEM**

- This function must **NEVER** be used as the sole method to prevent falls. Doing so could result in a **RISK OF INJURIES** to the patient.
- This function must **NEVER** be used as a substitute for visual supervision. Relying solely on this function could lead to a **RISK OF INJURIES** to the patient.
- This function must **NEVER** be used as the sole means of monitoring agitated, combative, suicidal, or high fall-risk patients. Doing so could result in a **RISK OF SERIOUS INJURIES** to the patient.
- Disabling the scale will also disable the bed exit or egress detection function.

3.17. VersaDrive motorized wheel (option)

The Rotec VersaTech beds can be optionally equipped with the VersaDrive motorized assistance system, which makes it easier to move the bed. The interface for this system is located on the panel at the foot of the bed.

To switch the system on and off



To activate:

- You must first unplug the bed, store the wire, and move the brake pedal to the neutral position before enabling the motorized assistance.
- Press the power button to activate the system until you hear a beep and the indicator flashes.
- Release the button, remove your hands from the panel and wait for the system to calibrate and the motorized wheel to lower to the ground. When you hear an audible signal and the indicator stops flashing and goes steady on, the VersaDrive is activated.
- The motorized wheel will assist your movement based on the pressure applied to the footboard.

To deactivate:

- Press and hold down the start button until you hear a beep and the indicator flashes.
- Once deactivated, the wheel will retract, and the indicator light will turn off.

Notes

- Always set the brake when finished using the drive assist system or when leaving the bed unattended.
- For safety, the wheel assists movement up to a speed of 4.32 km/h or 2.7 mph forward and a speed of 2.64 km/h or 1.65 mph backward, with an autonomy of 8 km or 5 miles.

Battery charge level



The motorized wheel is powered by an independent battery. Indicator lights display the approximate percentage of battery remaining.

The VersaDrive battery recharges automatically when the bed is plugged in via the main power cable. When the bed is plugged in, the motorized wheel is deactivated.

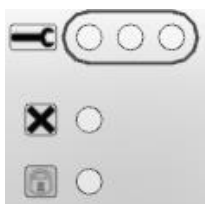
Emergency stop button



In case of an emergency, press the emergency stop button to disconnect the power supply to the motorized assistance system. Turn the button to reactivate it, then press the power button.

Be cautious: Using the emergency button deactivates the electric brake, and the operator will need to slow down the load manually without assistance. Only use this button in the event of an electrical fault causing a loss of control. Do not use it for normal braking or to shut down the system.

Troubleshooting Indicators



If the indicator light on the start button is lit in a color other than green, or if any other indicator lights are illuminated, the system may be in a non-functional error state.

To resolve the issue, restart the VersaDrive. If the problem persists, contact customer service for further assistance.











WARNING ABOUT THE MOTORIZED WHEEL

- Always disengage the motorized wheel system after completing a move and re-engage the brake to prevent unintentional movement that could cause injury.
- Switch off the motorized wheel completely before the patient gets in or out of bed to reduce the risk of falls.
- The VersaDrive system must only be operated by qualified staff.
- The operator must not be distracted or under the influence of substances that could impair their ability to operate the system safely.
- Do not use the VersaDrive on slopes exceeding 6 degrees.
- Ensure that neither the mattress nor the patient is pressing against the foot panel while using the VersaDrive.

VersaDrive Troubleshooting Guide

If the VersaDrive system is not functioning as expected, follow these steps until the issue is resolved:

1. Turn the system off, then turn it back on.
2. Do not touch the foot panel during the first few seconds of calibration.
3. Ensure no lights are blinking, and troubleshooting indicators are off.
4. If the issue persists, refer to the troubleshooting table:
 - a. Inspect the indicated components.
 - b. Ensure all cables are securely connected.
 - c. If available, try replacing the affected part.
5. If the problem remains unresolved, contact customer service.

Issue	Possible Cause
All lights are blinking.	Emergency button is active. Twist to reset.
Orange blinking battery light	Low batterie charge. Plug the bed into a power source.
Green blinking battery light.	Unplug the main power cable before moving.
System doesn't start or immediately switches off.	Issue with battery or charger.
Wheel remains inactive while system is on.	Issue with wheel or control box.
Bed doesn't automatically brake.	Issue with foot panel sensor.
Bed moves short distances by itself.	Floor angle or foot panel sensor issue.
X or Lock indicator is lit.	Issue with control box program.
	Issue with control box.
	  Issue during initial calibration.   Issue with stable signal. Possibly caused by an object touching the foot panel, causing a stable pressure on the sensor. Can sometimes happen at very low speed with constant handle pressure. Otherwise, issue with foot panel sensor.
	Issue with foot panel connection or buttons.
	Issue with motor wheel.

3.18. Auxiliary outlet (option)

If the bed is equipped with an auxiliary power socket, it is located under the footboard.

The voltage of the auxiliary socket matches the mains supply, and the socket capacity may be 2.5 amperes or 5 amperes, depending on the model.

This socket is connected to the bed's main power supply via an isolation transformer.

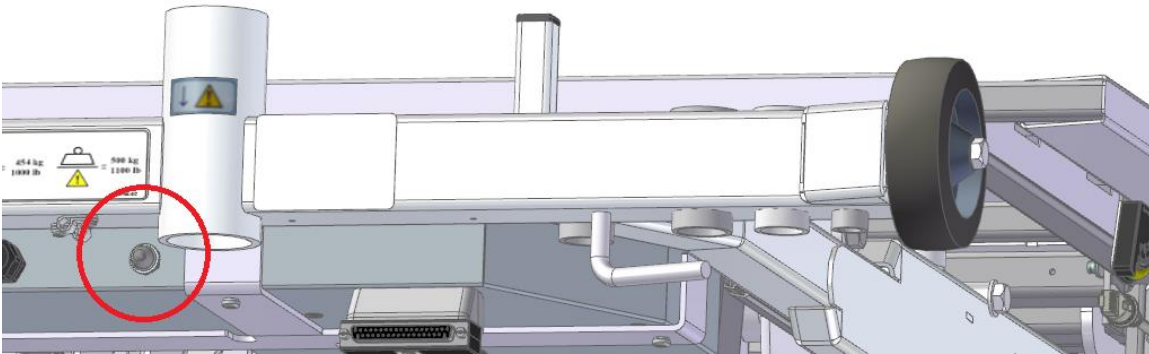
Unplugging the bed's wall power supply deactivates the auxiliary socket output.

Note that the auxiliary power socket is designed for a maximum connection of 600 watts.

Exceeding the power rating indicated on the plug marking may cause the circuit to break.

If the socket is not working, press the circuit-breaker reset button located near the power cable inlet at the head to reconnect the circuit.

Finally, do not use the auxiliary socket for life-sustaining equipment.



WARNING ABOUT THE AUXILIARY POWER OUTLET

- Only connect medical-grade devices that consume 5A (120 VAC) / 2.5A (220/230/240 VAC) or less to the auxiliary outlet.
- Connecting an electrical device to the auxiliary outlet creates an electromechanical system, which may reduce the overall level of safety.
- Do not connect an extension cord or multi-tap socket to the bed's auxiliary outlet.
- **Do not use the auxiliary outlet for life-sustaining equipment.**

4. MAINTENANCE

4.1. Cleaning

Here are the precautions to consider when cleaning the device:

- Do not wash the bed with a high-pressure water jet. Ultrasonic cleaning and immersion of bed components are not recommended.
- Always disconnect the bed from power before cleaning.
- Use hospital-grade cleaning solutions such as Presept, Zochlor, Fectolime, F-12167 Zep, Zep Spirit II, ACCEL Prevention RTU (Virox), Clorox Healthcare Wipes, 3M HWS-100, or commonly used residential soaps. Clean the bed by hand, and cleaning products may be applied by spraying. Ensure the cleaning solution is used at the manufacturer's recommended concentration.
- A chlorine solution of up to 10,000 ppm may be used. Rinse with clear water after the recommended exposure time to remove any excess chlorine residue.
- Steam cleaning is allowed, but do not use a high-pressure jet.
- Ensure that all cleaned parts are completely dry before using the bed.
- If the bed is equipped with a VersaDrive motorized wheel, remove any dust or fiber build-up around the wheel axle.



WARNING ABOUT CLEANING

- Failure to follow these cleaning safety instructions may compromise the integrity of the bed and render it unusable.

4.2. Preventive maintenance

To ensure the device remains in optimal condition, perform the following checks annually:

- Inspect the overall condition of the equipment to ensure it is still in good working order.
- Connect the device's power cable and leave it plugged in for at least 48 consecutive hours.
- Ensure that all nuts and bolts are securely tightened.
- Inspect the wear of shoulder washers, which reduce friction on moving parts. Do not lubricate—replace if necessary.
- Ensure that no objects or equipment obstruct the movement of the bed's moving parts (e.g., wheels, structure).
- Examine the condition of the remote-control wire, power cord, and bed cables. Replace any damaged components.
- Test all device functions to confirm they operate correctly, following the instructions in this manual (see Section 3).
- Unplug the power cable and operate the actuators to verify battery functionality.
- If the VersaDrive option is installed, test the motorized wheel to assess its functionality and battery life.
- For optimal performance, replace the bed batteries every 3 years.



WARNING ABOUT PREVENTIVE MAINTENANCE

- Preventive maintenance is essential to ensure the reliability of the bed. A bed showing any abnormalities must not be used. Any issues must be repaired immediately by an authorized and qualified technician. Failure to follow cleaning safety instructions may compromise the integrity of the bed and result in **SERIOUS INJURY**.
- Using replacement parts that are not certified by Rotec may result in **SERIOUS INJURY AND/OR SIGNIFICANT MECHANICAL FAILURE** and may limit or void the product warranty.
- If any part that provides access to electronic components is broken, the device must be immediately locked down until the damaged part is repaired or replaced. Failure to do so could result in **SERIOUS ELECTROCUTION INJURIES**.

4.3. Disposal of the device at end of life

To ensure the safe disposal of the device at the end of its life cycle, follow these steps:

- **Remove the batteries** and dispose of them at a facility designated for battery recycling.
- **Detach and recycle** the power cables, connectors, motors, circuits, controller, and electronic control system at an appropriate recycling facility.
- **Remove and recycle** the wheels, plastic coverings, panels, side rails, and plastic joints from the bed's mechanisms at a designated recycling facility.
- **Recycle all remaining metal components** according to proper recycling procedures.

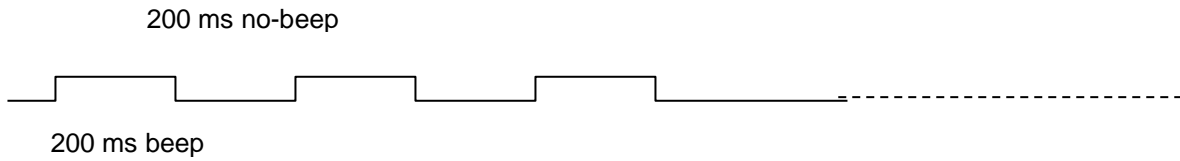
4.4. Troubleshooting guide

If any problems arise with the bed or one of its components, refer to the guide below. If the following or additional problems persist, do not hesitate to contact one of our technicians.

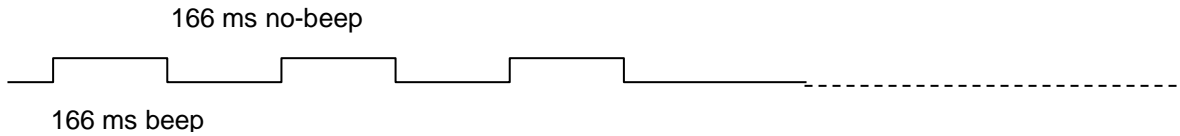
PROBLEMS	VERIFICATIONS
None of the functions of the remote control or the nurse control are working.	<ul style="list-style-type: none"> - Is the power cord properly plugged in? - Is the power cord damaged? If so, replace it. - Verify all connections.
None of the functions on the remote control are working.	<ul style="list-style-type: none"> - Is the control lock activated? - Is the remote-control wire properly plugged in? - Is the remote-control wire damaged? If so, replace it.
One or many functions of the remote control are not working.	<ul style="list-style-type: none"> - Verify the above-mentioned. - Is the control lock activated for these functions? If not, are the nurse control functions working? If so, have the remote control inspected. - Verify the above-mentioned.
The bed runs very slowly.	<ul style="list-style-type: none"> - Is the power cord properly plugged in? - Is the power cord damaged? If so, replace it.
Device emits one or several audible beeps	<ul style="list-style-type: none"> - Refer to the next section about acoustical signal explanation

Explanation of acoustical signals

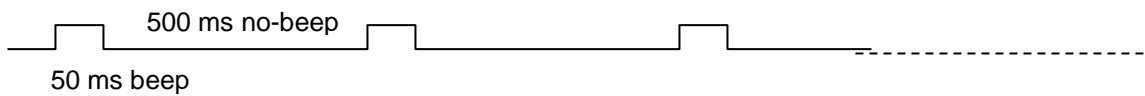
Position Lost:



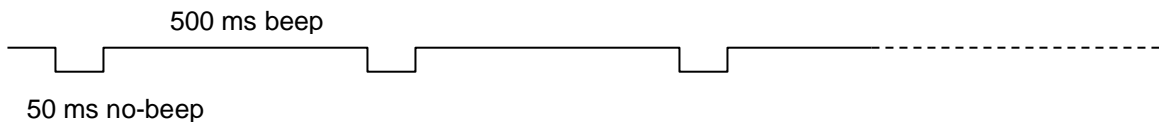
OBD Alarm:



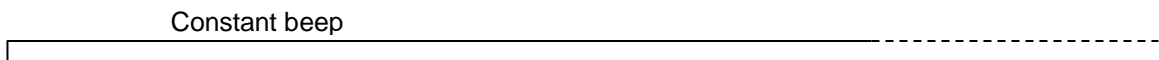
Fatal Error:



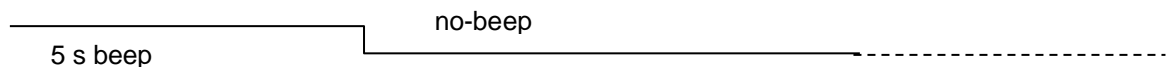
Fatal Error Reset:



Hoot:



Over-heating:



Troubleshooting after a fatal error

When the control box enters fatal error mode, a fatal error beep will sound each time a button is pressed, alerting the user of the issue. Additionally, all lights will flash when the system is in fatal error mode. Each function of the control box reacts to fatal errors in a specific way.

Here are the types of fatal errors:

1) Actuator positioner error:

- Occurs when the control box expects positioning pulses from an actuator but does not detect them.

2) Motor output error:

- Occurs when power demand is generated, but there is no corresponding command.
- This error is triggered for safety reasons to prevent unintended bed movement unless a specific command (button press) has been issued.

3) Missing actuator error:

- Occurs when a function is called, but not all required actuators are present.

To clear a fatal error, follow these steps:

1. Press and hold both the **height-up** and **height-down buttons** on either:
 - The nurse control at the foot of the bed, or
 - The removable hand control (remote)
2. Hold the buttons for **5 seconds**.
3. You will hear **10 beeps** indicating that the reset is in progress.
4. Once the **beeps stop**, the **reset is complete**.

Note: A fatal error does not erase the actuator position memory. However, the user must verify that the system is in a safe position. Raise the bed to its maximum height to ensure proper actuator position calibration.

5. WARRANTY AND RETURN POLICY

5.1. Limited warranty

Rotec warranty to the original purchaser of bed VersaTech Med-Surg XL (700 ULB+), the following protections:

- 1 year on manufacturing defect and on the accessories.
- 2 years on motors and electronics components.
- 10 years on the frame.

The warranty coverage begins from the date of purchase of the device. No employee or representative of Rotec is authorized to modify this warranty in any way. This warranty does not cover damages caused by negligence or improper use. Rotec will not be held responsible for any other warranty offered by any person, firm or company, to the exclusion of the one stipulated above. Rotec reserves the right to substitute equal or superior quality materials during repairs and/or replacements. The material replaced and covered by this warranty does not allow one to benefit from a new warranty. It only benefits from the original warranty.

The warranty on the bed and/or its accessories does not apply to damages resulting from modification and/or unauthorized additions or installation of accessories other than those authorized by Rotec. Use only replacement parts supplied by Rotec. Proof of annual preventive maintenance could be asked for to benefit of this warranty.

For further information, contact our Technical Services. Our hours of operation are from Monday to Friday from 8:30 AM to 12:00 PM and 1:00 PM to 5:00 PM.



WARNING ON WARRANTY

- Any modifications to the device without the authorization of Rotec may lead to **SERIOUS INJURY AND / OR IMPORTANT MECHANICAL DAMAGE** and could **LIMIT OR VOID THE PRODUCT WARRANTY**.

5.2. Return policy

Non-compliant product

If a Rotec product does not match the original order invoice, the issue must be reported within 48 hours of delivery. Any necessary corrective actions will be carried out at Rotec's expense and will be addressed as soon as possible following notification of the non-compliance.

Damaged product

It is the receiver's responsibility to inspect the shipment, even if the box(es) appears to be in good condition. Any damage must be noted on the bill of lading. Rotec must be notified within 24 hours of receipt to inform the carrier as soon as possible. If Rotec is not informed within 24 hours, or if damages are not recorded on the bill of lading, the customer may be responsible for all costs incurred to replace or repair the damaged product.

Return product

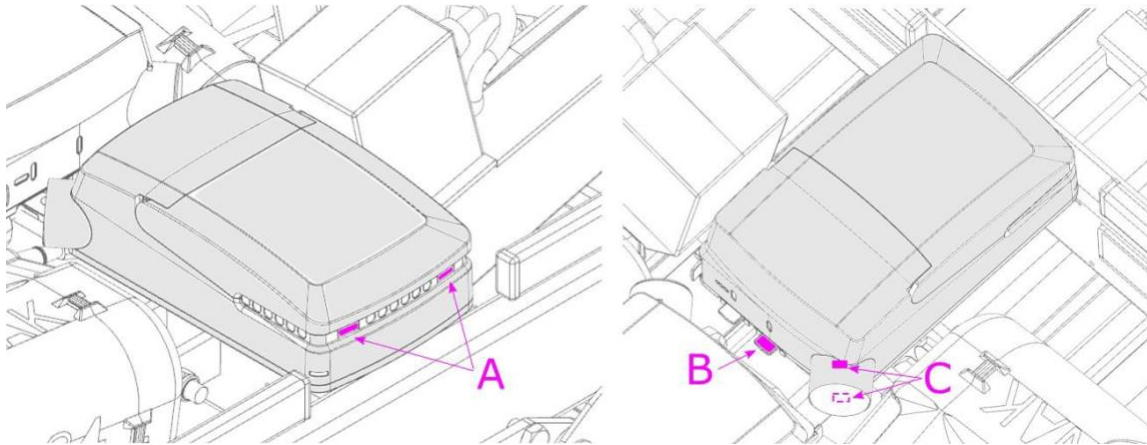
All returned products require an RGA (Return Goods Authorization) number and are subject to a 25% restocking fee. Additionally, the customer is responsible for all transportation charges related to the return. For more information, please contact our customer service team.

6. REPAIR PROCEDURES

6.1. Replacing the QLCI (scale circuit)

Required tools:

- Flat screwdriver
- Cutting pliers



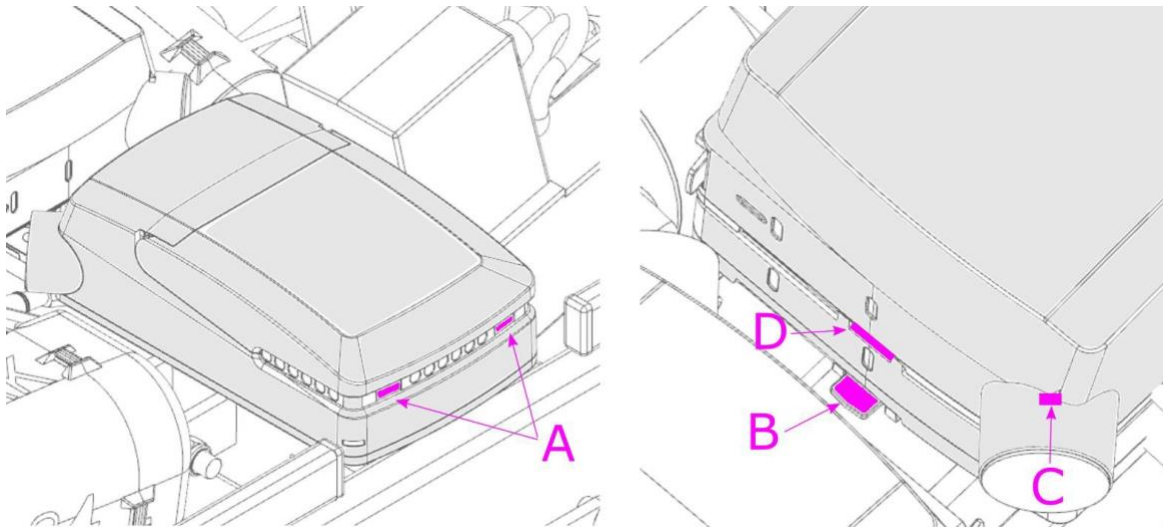
Procedure:

1. Raise the bed to its highest position and apply the brakes.
2. Unplug the power cord from the wall outlet.
3. Open the case by pressing the two latches (A).
4. Disconnect all cables under the cover, making note of their locations.
5. Remove the QLCI by pressing the lock at the bottom (B) and sliding it out. Cut wire ties if necessary.
6. Disconnect the power supply from the corner of the QLCI (C) using a flathead screwdriver.
7. Reverse the above steps to install the new QLCI.
8. Check the scales for proper operation before returning the bed to service.

6.2. Replacing the main circuit or its battery

Required tools:

- Flat screwdriver
- Cutting pliers



Procedure:

1. Raise the bed to its highest position and apply the brakes.
2. Unplug the power cord from the wall outlet.
3. Open the case by pressing the two latches (A).
4. Disconnect all cables under the cover, making note of their locations.
5. Remove the circuit by pressing the bottom lock (B) and sliding it out. Cut wire ties if necessary.
6. Disconnect the power supply from the corner of the circuit (C) using a flathead screwdriver.
7. Separate the battery from the circuit by pressing and sliding the lock (D). Open the wire door with a screwdriver to disconnect the wire.
8. Reverse the above steps to install the new parts.
9. Check all controls for proper operation before returning the bed to service.



BATTERY DISPOSAL WARNING

- Ensure the battery is recycled at a facility designated for this purpose.

6.3. Replacing the VersaDrive battery

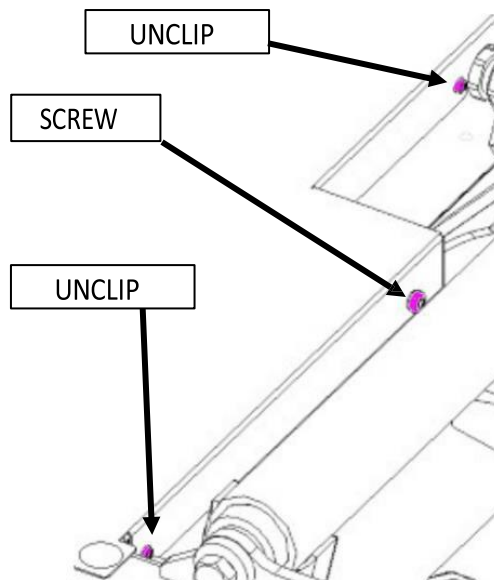
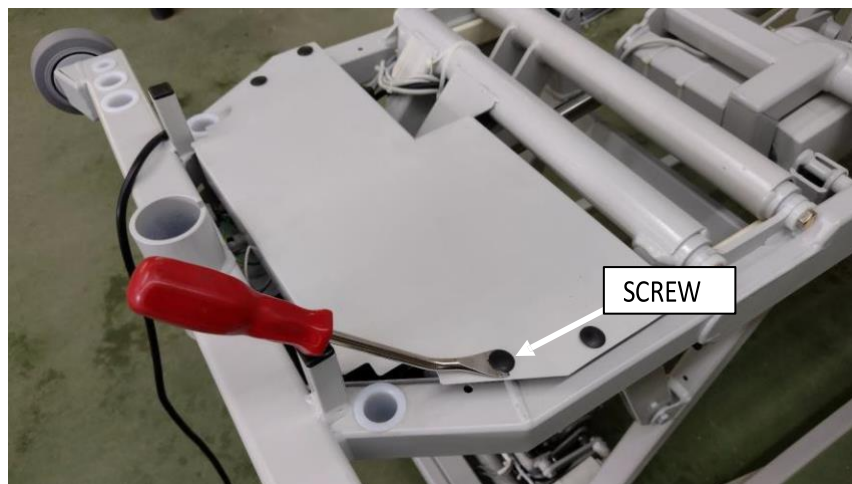
Required tools:

- Robertson #2 square screwdriver
- Flat screwdriver
- Extractor screwdriver

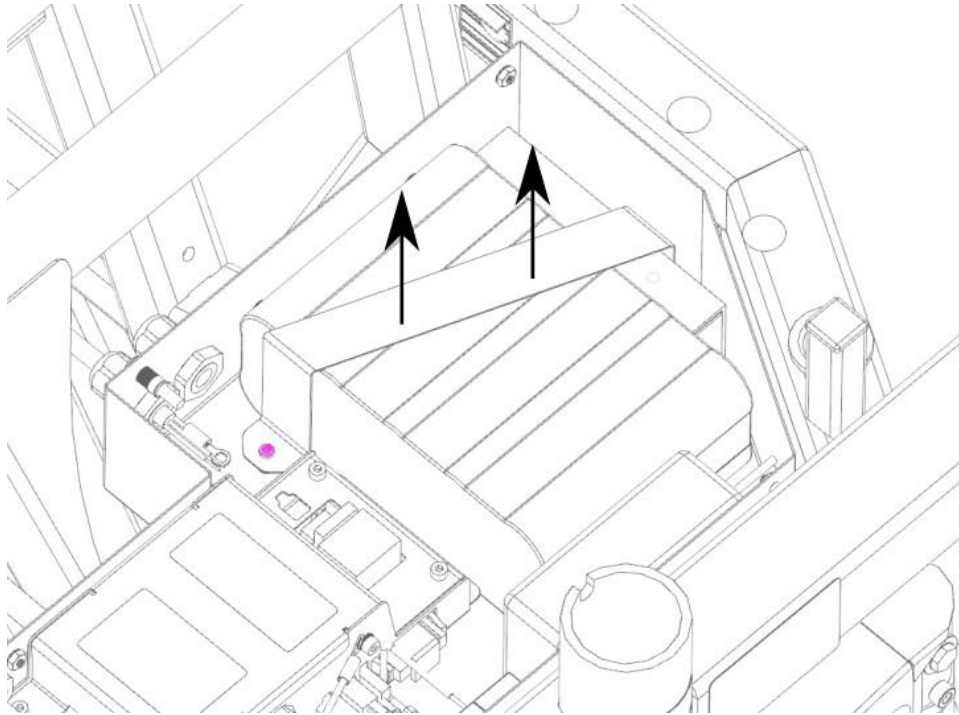
⚠ ATTENTION! THE MAINTENANCE OF THE ELECTRICAL SYSTEM MUST ONLY BE CARRIED OUT BY QUALIFIED PERSONNEL.

Procedure:

1. Raise the bed to its highest position and apply the brakes.
2. Unplug the power cord from the wall outlet.
3. Lift the backrest and open the electrical box by removing the rivets with a screwdriver.
4. Unscrew the screw using a #2 Robertson square screwdriver.
5. Unclip the cover using a flathead screwdriver.



6. Remove the metal support from the battery by unscrewing the two screws.



7. Remove and disconnect the battery completely.
8. Reverse the above steps to install the new battery.
9. Check all controls for proper operation before returning the bed to service.



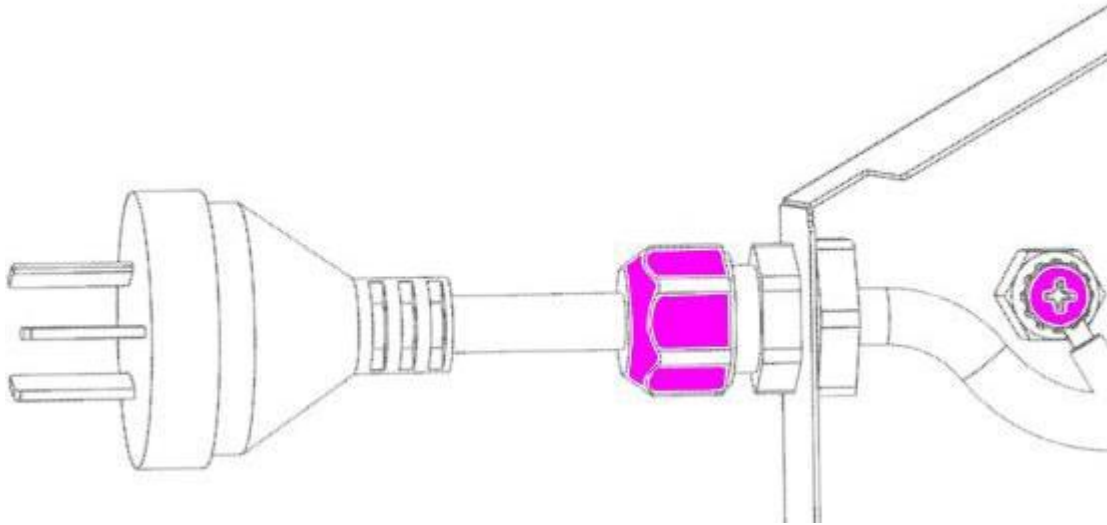
BATTERY DISPOSAL WARNING

- Ensure the battery is recycled at a facility designated for this purpose.

6.4. Replacing the power cord

Required tools:

- Robertson #2 square screwdriver
- Flat screwdriver
- Phillips #2 screwdriver
- Extractor screwdriver

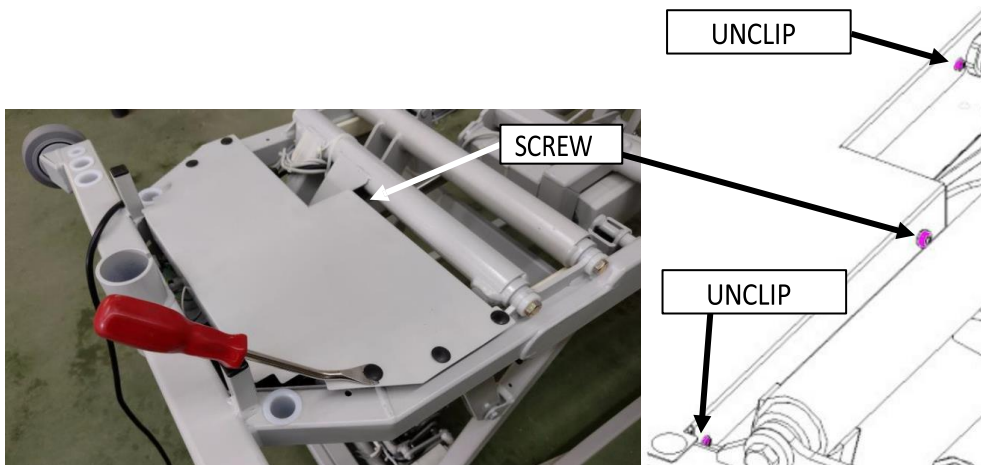


⚠ ATTENTION! THE MAINTENANCE OF THE ELECTRICAL SYSTEM MUST ONLY BE CARRIED OUT BY QUALIFIED PERSONNEL.

Procedure:

1. Raise the bed to its highest position and apply the brakes.
2. Unplug the power cord from the wall outlet.
3. Remove the eyelets securing the cable to the frame.
4. Unscrew the grommet.

5. Lift the backrest and open the electrical box.



6. Disconnect the white and black wires of the power cable from the junction boxes. **MAKE SURE THE BED IS UNPLUGGED BEFORE PROCEEDING.**

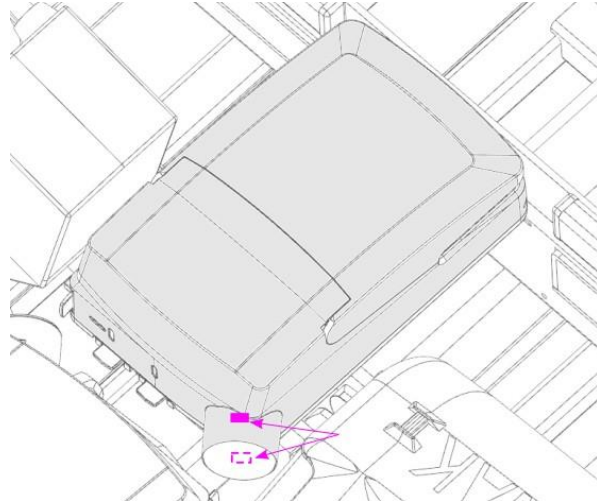
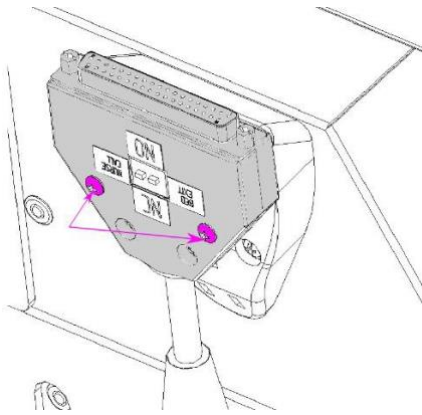


7. Disconnect the green wire from the grounding pole.
8. Remove the power cord.
9. Reverse the above steps to install the new power cord. Ensure the power cord grounding connector is placed underneath, in contact with the stud.
10. Check all controls for proper operation before returning the bed to service.

6.5. Replacing the nurse call port

Required tools:

- Flat screwdriver
- Cutting pliers



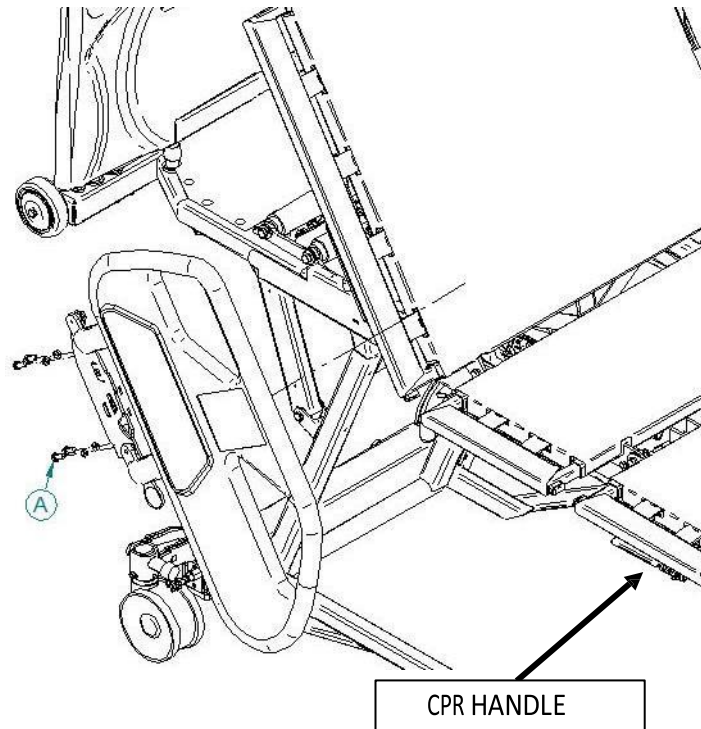
Procedure:

1. Raise the bed to its highest position and apply the brakes.
2. Unplug the power cord from the wall outlet.
3. Using wire cutters, remove the cable ties securing the nurse call connector cable to the frame.
4. Remove the two screws as shown.
5. Follow the cable and disconnect it by pressing the two locks and unplugging it.
6. Reverse the above steps to install the new nurse call connector.
7. Check all controls for proper operation before returning the bed to service.

6.6. Replacing the siderail assembly

Required tools:

- 1/2" socket
- 3/8" drive ratchet
- Cutting pliers



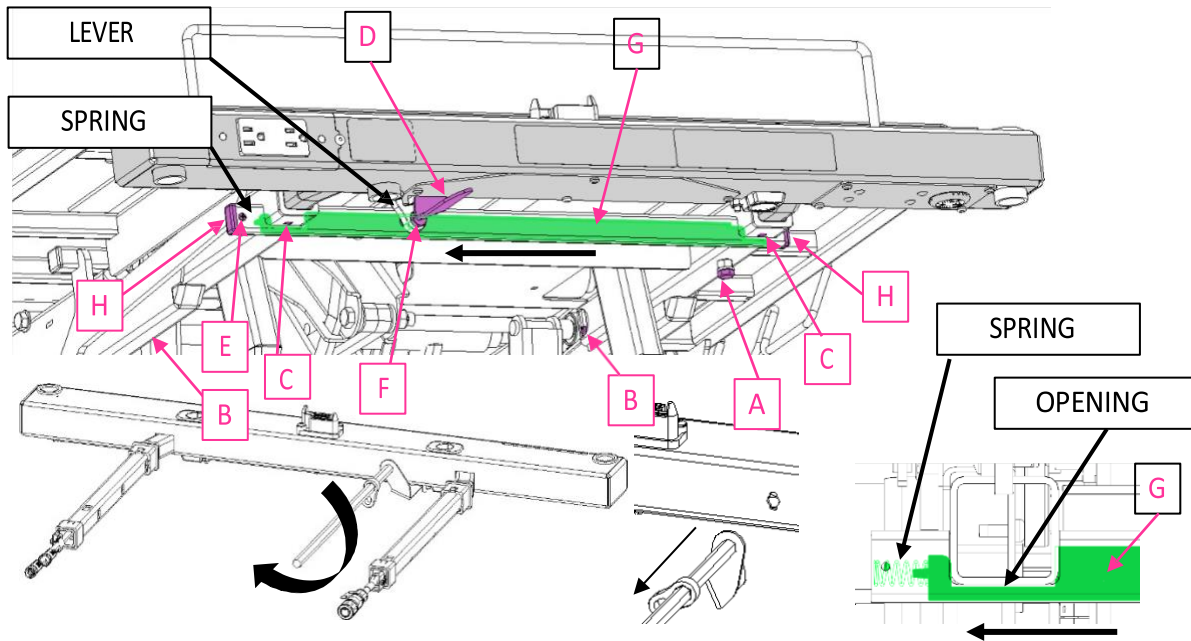
Procedure:

1. Raise the bed to its highest position and apply the brakes.
2. Raise the back section to the highest position.
 - if the controls no longer work, use the CPR handle to manually raise the back section.
3. Raise the side of the bed that needs repair.
4. Unplug the power cord from the wall outlet.
5. Follow the wire from the bed side to the junction box, remove the lock, and unplug it.
6. Using wire cutters, remove the cable ties securing the bed side cable to the chassis.
7. Using a 3/8" ratchet wrench and 1/2" socket, remove the 4 screws (A) securing the bed side assembly to the head section.
 - Support the assembly when removing the last screw to prevent it from falling.
8. Reverse the above steps to install the new bed side assembly.
9. Verify proper movement of the bed side and check the operation of all controls, including the optional nurse call function, before returning the bed to service.

6.7. Replacing the foot structure extension

Required tools:

- Flat screwdriver
- 1/2" wrench
- Robertson #2 square screwdriver



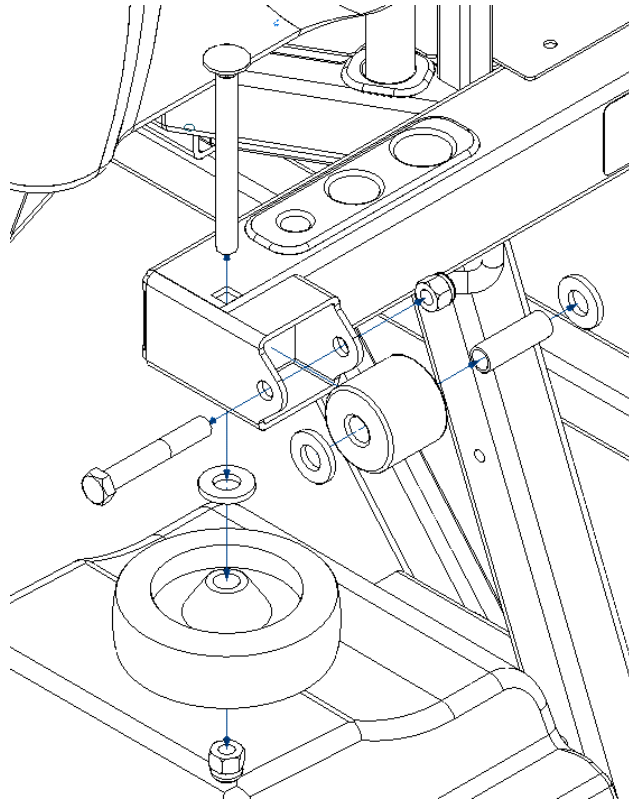
Procedure:

1. Raise the bed to its highest position and apply the brakes.
2. Raise the foot section.
3. Unplug the power cord from the wall outlet.
4. Unscrew screw (E) and remove the plastic plugs (H) using a flathead screwdriver, taking care not to lose the spring.
5. Remove screws (A) with a 1/2" wrench and screws (B) with a square screwdriver.
6. Disconnect the outgoing cables from the holes near the screws (B).
7. Remove screw (F) using a 1/2" wrench.
8. Using a flathead screwdriver, move the lock (G) towards the openings.
9. Using a flathead screwdriver, press the tabs on guide (C) and slide it out. Repeat the same operation on the other side and remove the foot extension.
10. To remove the extension, turn the latch 1/4 turn to remove it from its base.
11. Reverse the above steps to install the new foot extension, making sure the latch (D) and lever are correctly positioned.
12. Check all footboard controls for proper operation before returning the bed to service.

6.8. Replacing a wall bumper

Required tools:

- 9/16" combination wrench



Procedure:

5. Raise the bed to its highest position and apply the brakes.
6. Loosen nuts with a 9/16" combination wrench, then remove shock absorbers.
7. Reverse the above steps to install the new wall bumpers.

6.9. Replacing the bed caster

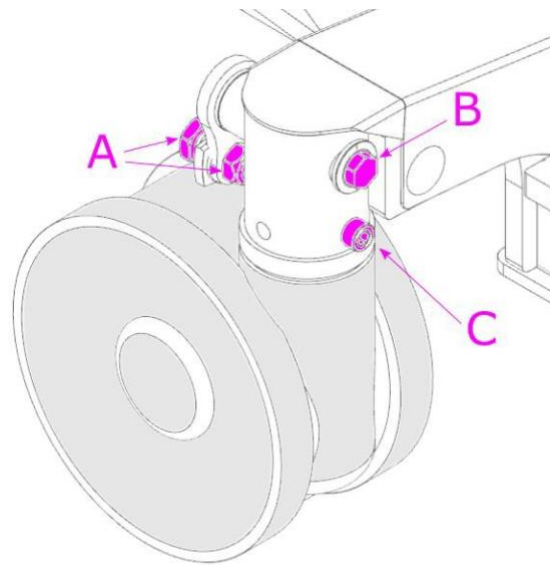
Required tools:

- 9/16" combination wrench
- #3 allen wrench
- #4 allen wrench
- #5 allen wrench
- Axle stands (2)
- 1/2" combination wrench
- Trim clip removal tool

Procedure:

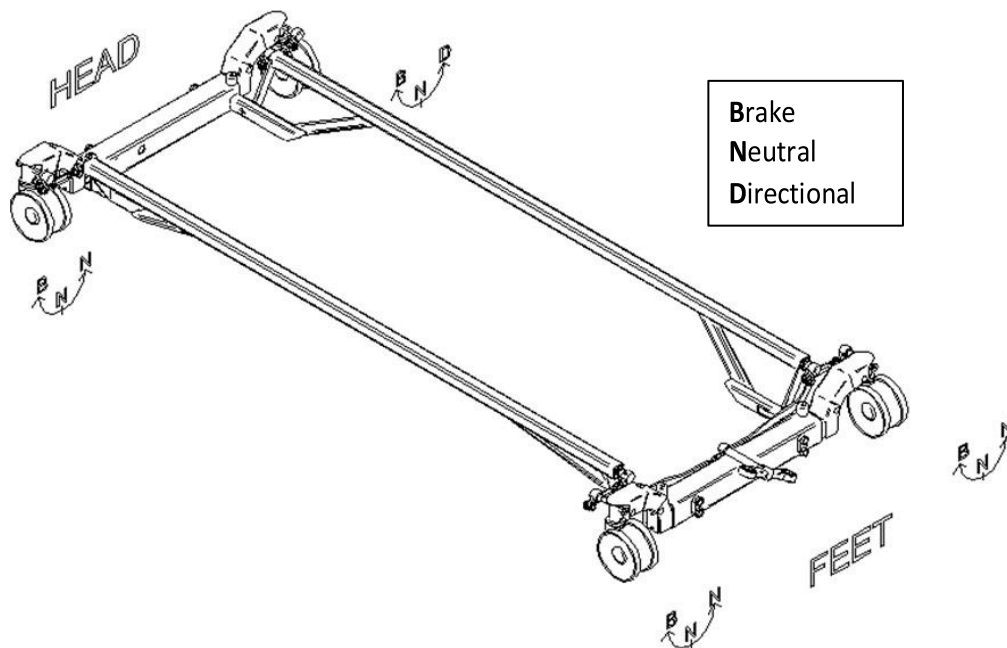
1. Raise the bed to its highest position.
2. Position the brake pedal of the casters to neutral.
3. Place axle stands under the bed frame next to the defective caster.
4. Lower the bed until the defective caster is no longer touching the ground.





5. Unscrew the screw (A) and its nut using hexagonal keys.
6. Remove the hexagonal rod (B) by tapping on the end.
7. Unscrew the Allen screw (C) and remove the wheel.

Notice: Before installing the new caster, ensure that it is correctly oriented. The illustration below demonstrates how the caster's mechanism functions.

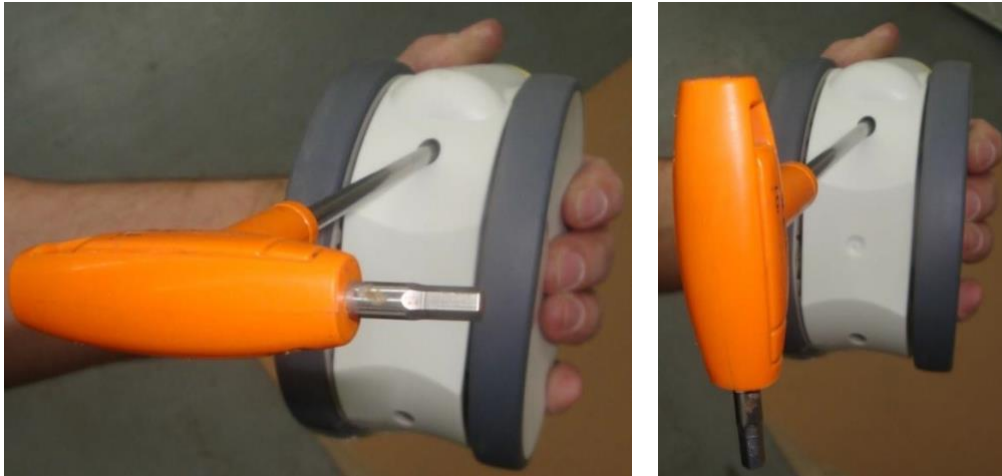


8. Reverse the above steps to install the new caster, ensuring it is properly aligned.
9. Verify that the new caster is functioning correctly before returning the bed to service.

Notice: If the new caster does not brake correctly, there is an adjustment mechanism located under the caster that can be used for fine-tuning.

6.9 REPAIR PROCEDURES

- Use a #4 Allen Wrench to turn the adjustment screw a quarter turn at a time until the caster brakes correctly.
- Turn counterclockwise to tighten the brake.
- Turn clockwise to loosen the brake.



6.10. Replacing the load cell

Required tools:

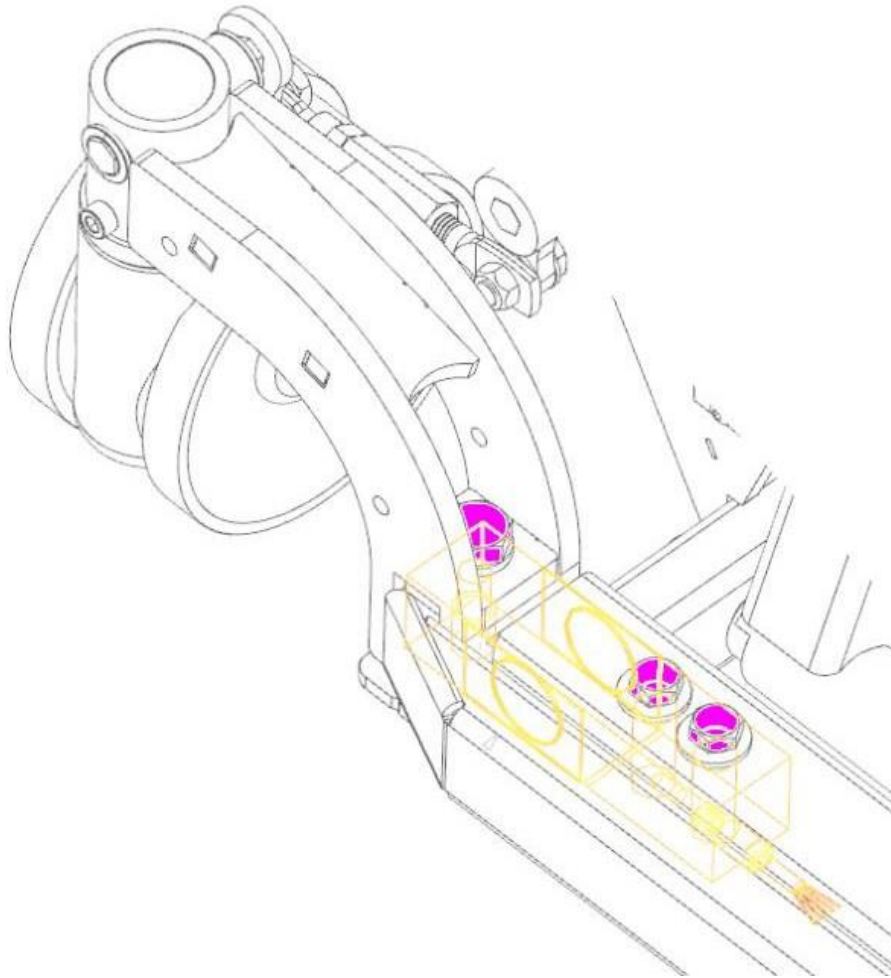
- Tools to remove the wheel (see previous section)
- Long $\frac{3}{4}$ " socket and ratchet
- Wrench $\frac{9}{16}$ "
- Magnet

Procedure:

1. Unplug the power cord from the wall outlet and raise the bed to its highest position.
2. Position the brake pedal of the casters to neutral.
3. Put the axle stands under the bed frame next to the defective load cell.
4. Lower the bed until the caster of the defective load cell is no longer touching the ground.



5. Remove the bed wheel following the procedure described in the previous section.

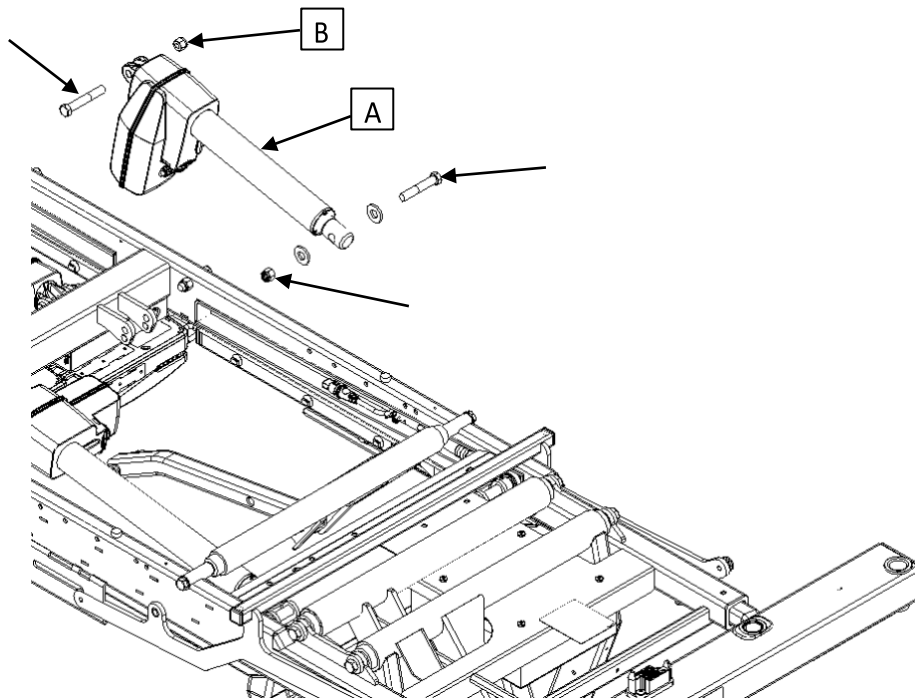
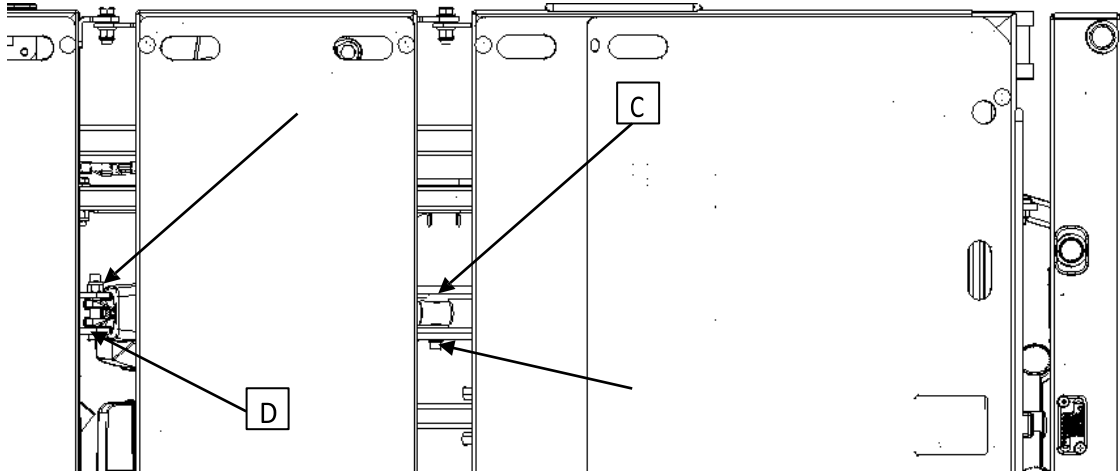


6. Remove the metal cover using a screwdriver extractor.
7. Unscrew the three (3) bolts securing the load cell.
8. Remove the plastic cover where the wires enter the axle.
9. Pull the wire from the axle out of the scale connector and disconnect it.
10. Remove the load cell, ideally using a magnet or by securing it with a sharp object.
11. Reverse the above steps to install the new load cell.
12. Verify that the new cell is functioning properly before returning the bed to service.

6.11. Replacing the foot section motor

Required tools:

- 9/16" combination wrench
- Regular slotted screwdriver
- Cutting plier



Procedure:

1. Raise the bed to its highest position and apply the brakes.
2. Position the platforms horizontally.
3. Unplug the power cord from the wall outlet.
4. Using cutting pliers, remove the cable ties holding cables on the motor (A).
5. Unplug the cable from motor (A) by removing the locker (F) with a flathead screwdriver, pressing down on both sides.

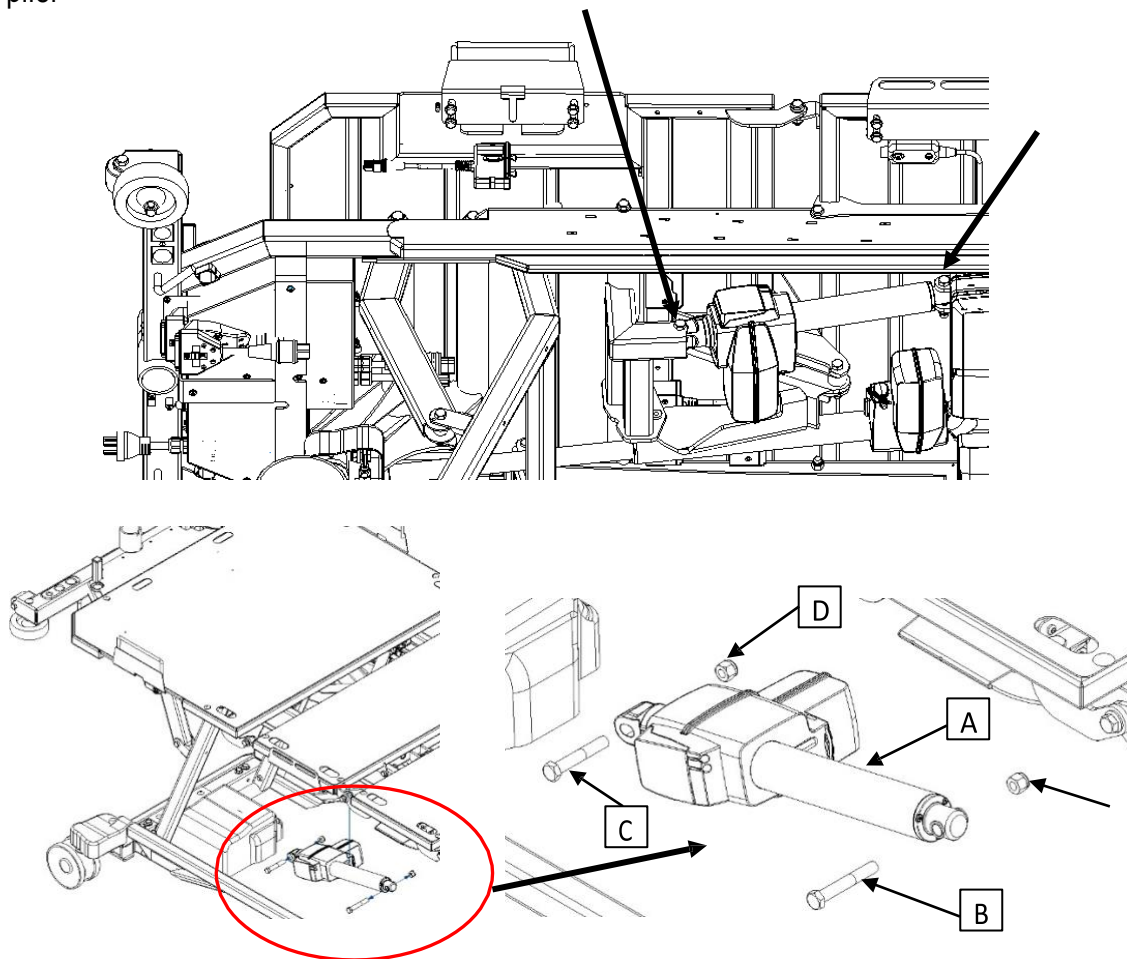


6. Using a 9/16" wrench, hold the two screws (C and D) while using another 9/16" wrench to loosen the nuts (B).
7. Reverse the above steps to install the new foot section motor.
8. Verify that the foot section motor is functioning properly before returning the bed to service.

6.12. Replacing the backrest motor

Required tools:

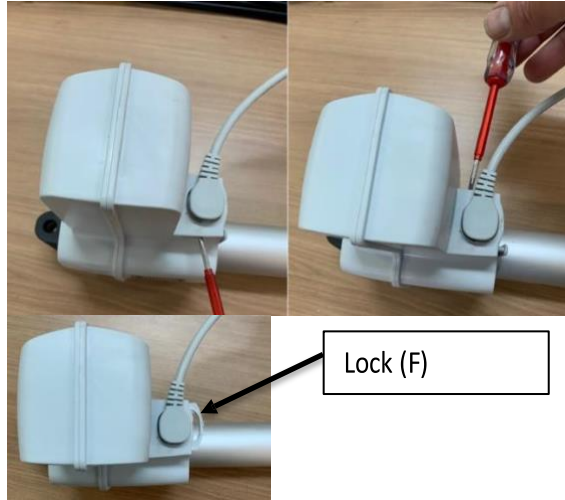
- 9/16" combination wrench
- Regular slotted screwdriver
- Cutting plier



Procedure:

1. Raise the bed to its highest position and apply the brakes.
2. Raise the head section to its highest position.
3. Unplug the power cord from the wall outlet.
4. Using cutting pliers, remove the cable ties holding the cables on the motor

- 5. Unplug the cable from motor (A) by removing the locker (F) from the connector with a slotted screwdriver.



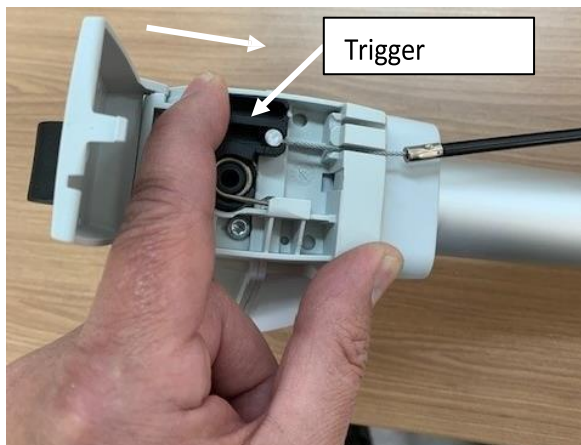
- 6. Using a flathead screwdriver, open the motor cover.



- 7. Move the shutter release and remove the cable from its base.



- 8. Reverse the above steps to install the new motor.

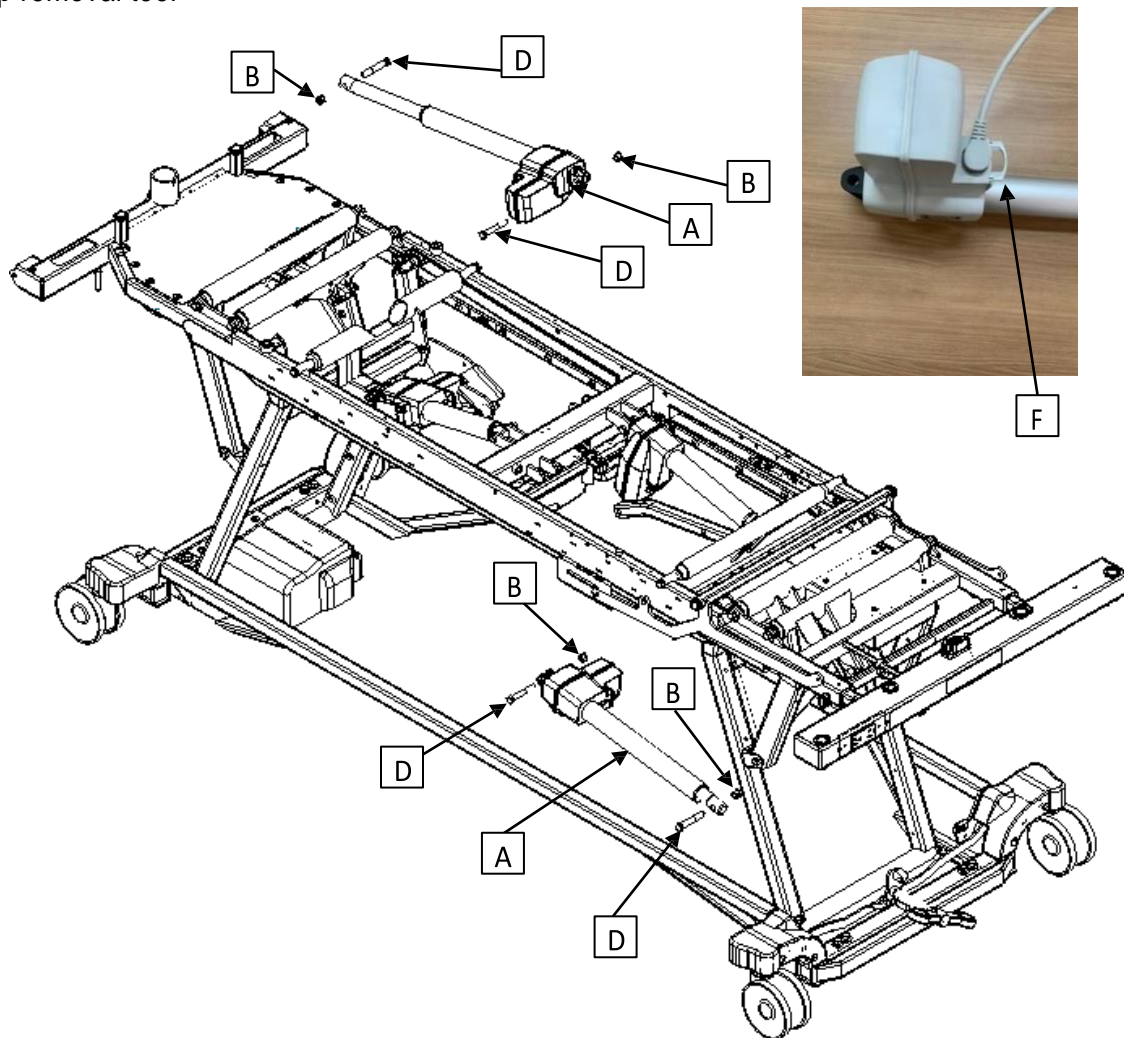


- 9. Verify that the new motor is functioning properly before returning the bed to service.

6.13. Replacing the high/low motor

Required tools:

- 9/16" combination wrench
- Regular slotted screwdriver
- Cutting plier
- Axle stands (2)
- Trim clip removal tool

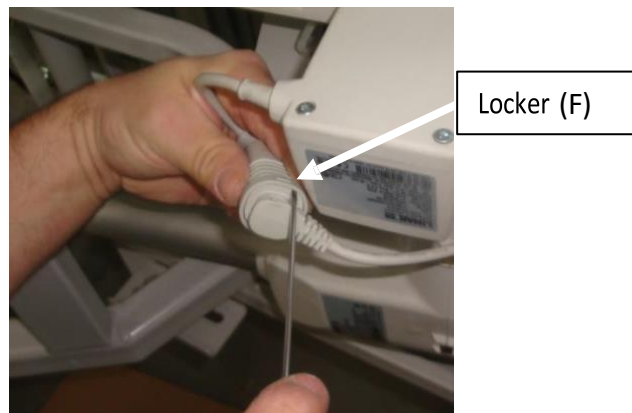


Procedure:

1. Raise the bed to its highest position and apply the brakes.
2. Place axle Support the top frame using an axle stand.



3. Lower the side panels and raise the head section.
4. Unplug the power cord from the wall outlet.
5. Remove the seat section cover using a trim clip removal tool.
6. Using cutting pliers, remove the cable ties holding the cables on motor (A).
7. Unplug the cable from motor (A) by removing the locker (F) from the connector with a slotted screwdriver.



8. Remove Hold the screws (C and D) with a 9/16" wrench while loosening the nuts (B) with another 9/16" wrench.

⚠ WARNING REMOVE THE BOLTS CAREFULLY. THE BASE FRAME WILL GO DOWN. HOLD IT

9. Reverse the above steps to install the new motor into the high/low mechanism.
10. Verify that the new motor is functioning properly before returning the bed to service.

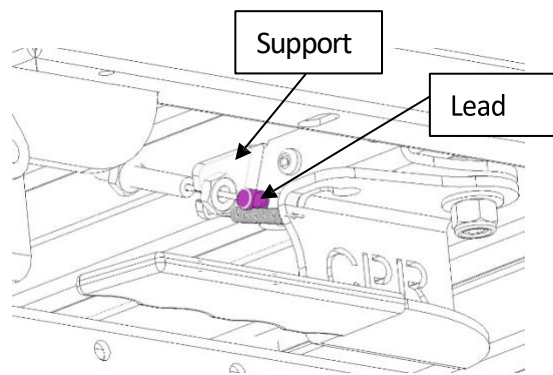
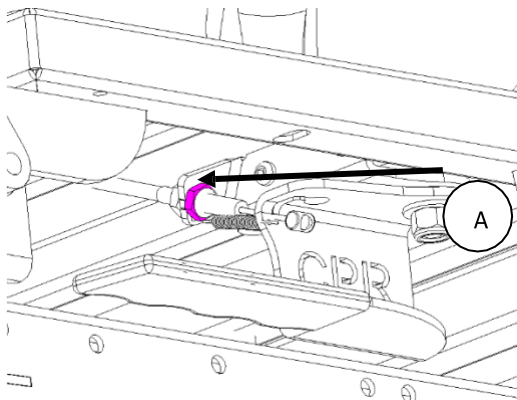
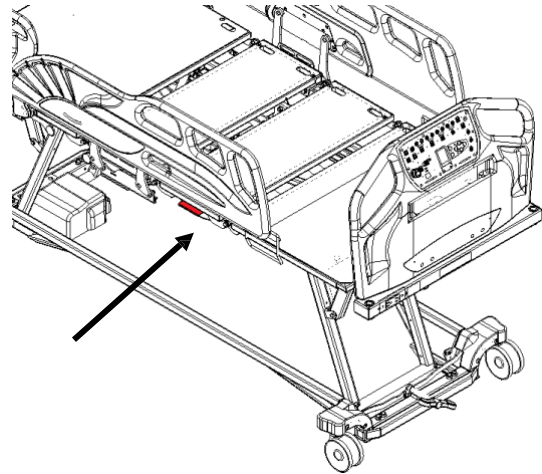
6.14. Replacing the CPR handle

Required tools:

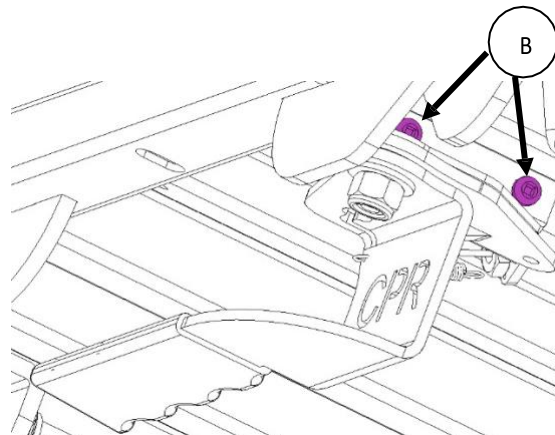
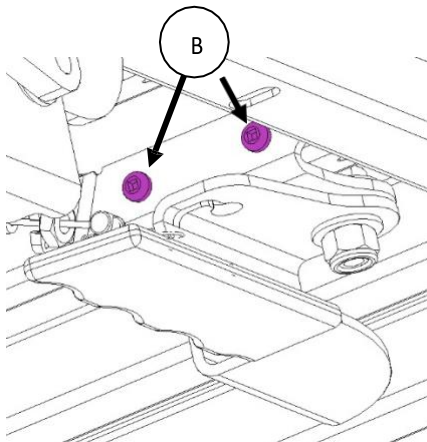
- #2 Robertson screwdriver
- 9/16" combination wrench

Procedure:

1. Raise the bed to its highest position and apply the brakes.
2. Unplug the power cord from the wall outlet.
3. Locate the CPR handle.



4. Loosen locknut (A) using a 7/16" wrench.
5. Disengage the cable from the support and detach the lead from the handle, then remove the cable.
6. Unscrew the four screws (B) with a Robertson screwdriver and remove the handle.
7. Reverse the above steps to secure the new handle in place.
8. Verify that the CPR function is functioning properly before returning the bed to service.



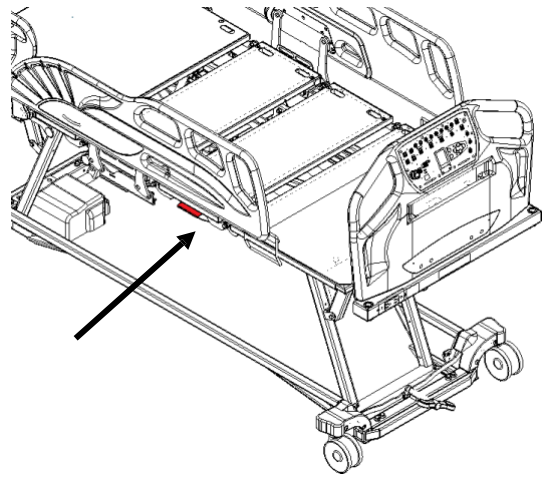
6.15. Replacing the CPR control cable

Required tools:

- 7/16" Combination wrench

Procedure:

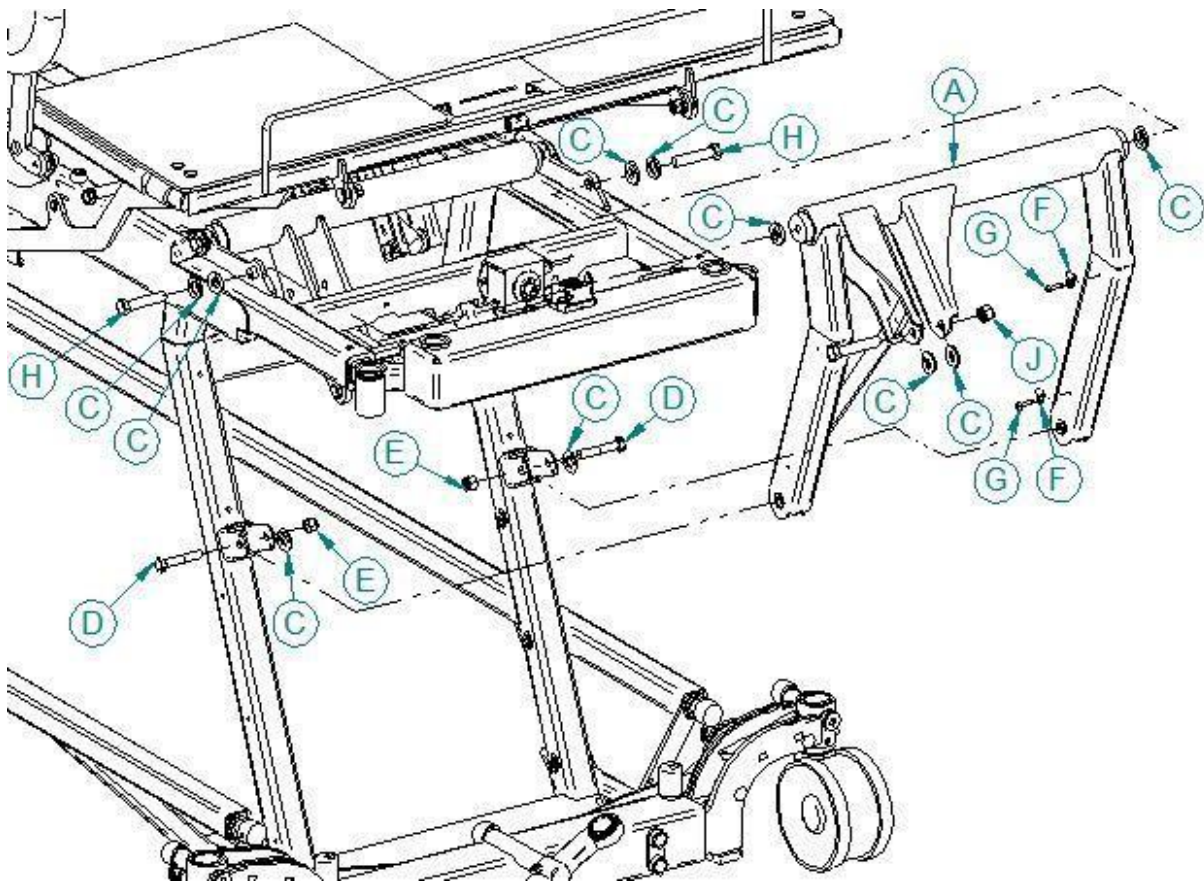
1. Raise the bed to its highest position and apply the brakes.
2. Unplug the power cord from the wall outlet.
3. Locate the CPR handle.
4. Using a 7/16" combination wrench, loosen the locknut (A).
5. Disconnect the cable from the support and detach the lead from the handle, then remove the cable.
6. For the instruction about removing and installing the other end of the control cable, see the section 6.12.
7. Reverse the steps above to install the new control cable to the upper leg section.
8. Verify the CPR function is functioning properly before returning the bed back to service.

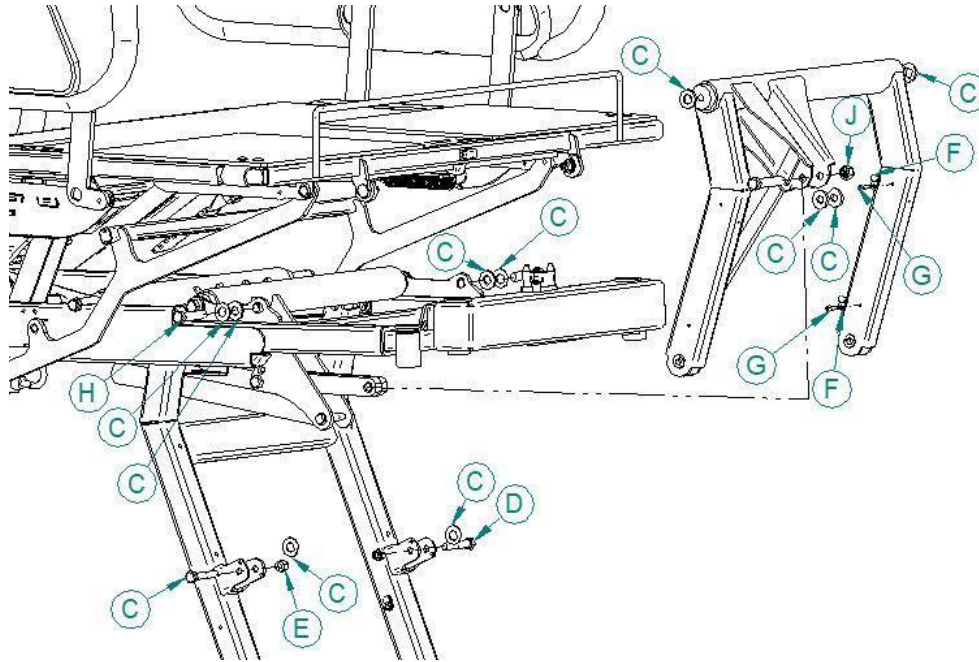


6.16. Replacing the foot lift frame motor

Required tools:

- 9/16" combination wrench
- #2 Robertson screwdriver
- Axle stands (2)
- 3/8" drive ratchet
- 9/16" socket
- 5/8" socket
- 5/8" combination wrench





Procedure:

1. Raise bed to its highest position and apply the brakes.
2. Extend the top frame extension.
3. Place axle stands under the top frame extension and lower the frame onto the axle stands until the high/low mechanism begins raising the casters.



4. Lift the foot section platform.
5. Unplug the power cord from the wall outlet.

6. Remove the screws (G) from the plastic eyelets (F) holding cables to the bed frame with a #2 Robertson screwdriver.
7. Using a 5/8" wrench, hold screw (H) while loosening nuts (J) with a ratchet wrench and an 11/16" socket. This disconnects the lifting frame section from the power link (I). Retain all parts and note the position of the nylon washers (K).
8. Using a 9/16" wrench, hold screw (D) while loosening nuts (E) with a ratchet wrench and a 9/16" socket. This disconnects the elevation frame section from the elevation arm. Retain all parts and note the position of the nylon washers (C).



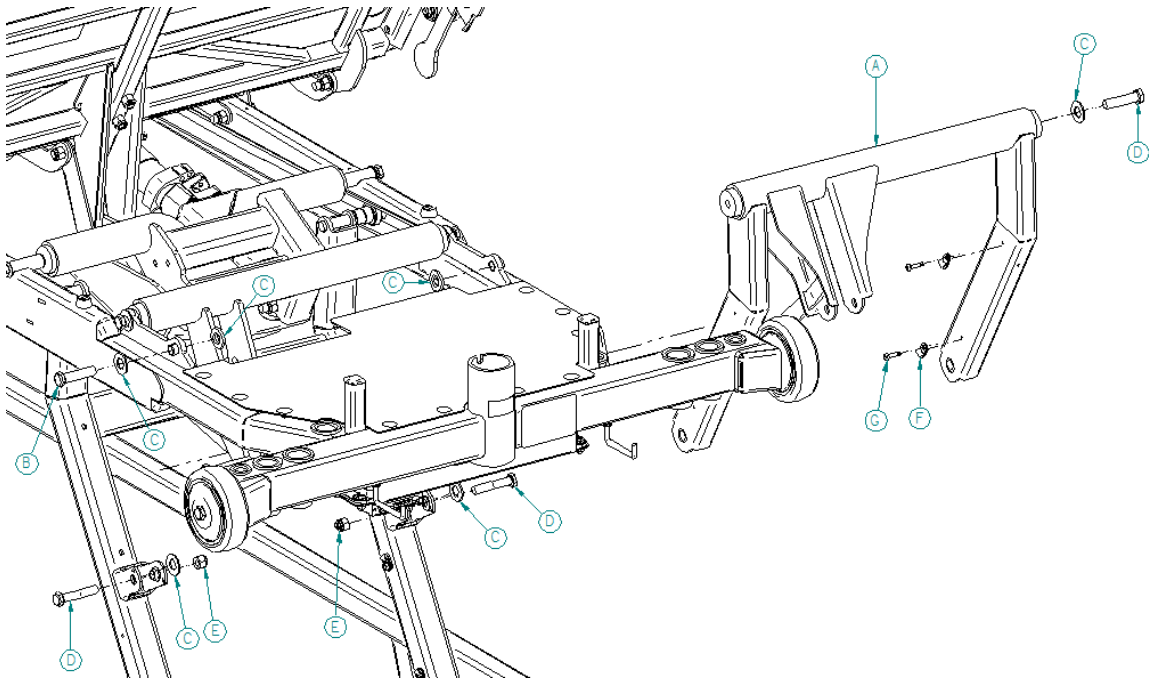
WARNING REMOVE THE BOLTS CAREFULLY. THE BASE FRAME WILL GO DOWN. HOLD IT

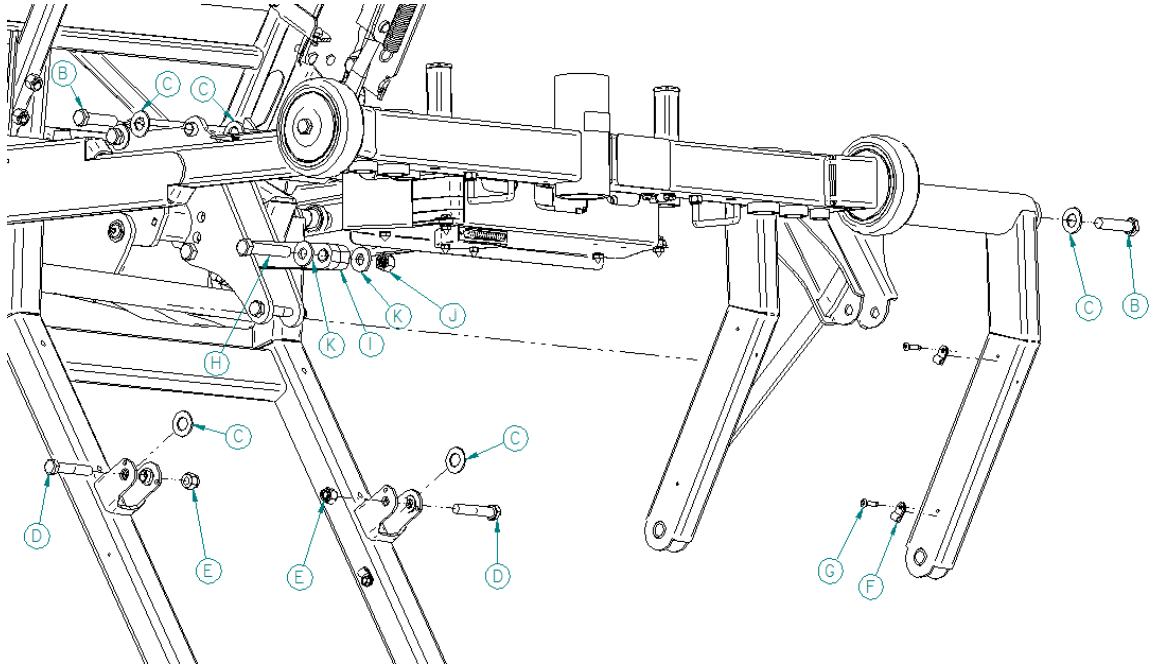
9. Using a ratchet wrench and a 5/8" socket, loosen screws (B) connecting the elevation frame section to the upper frame, then remove the assembly. Support the assembly while removing the last screw and note the position of the nylon washers (C).
10. Reverse the above steps to install the new foot section.
11. Verify that the high/low mechanism is functioning properly before returning the bed to service.

6.17. Replacing the head lift frame motor

Required tools:

- 9/16" combination wrench
- #2 Robertson screwdriver
- Axle stands (2)
- 3/8" drive ratchet
- 9/16" socket
- 5/8" socket
- 5/8" combination wrench





Procedure:

1. Raise bed to its highest position and apply the brakes.
2. Place the axle stands under the top frame, then lower the frame onto the axle stands until the high/low mechanism begins raising the casters.



3. Lift the backrest section platform.
4. Unplug the power cord from the wall outlet.
5. Remove the screws (G) from the plastic eyelets (F) holding cables to the bed frame using a #2 Robertson screwdriver.
6. Using a 5/8" wrench, hold screw (H) while loosening nuts (J) with a ratchet wrench and an 11/16" socket. This disconnects the lifting frame section from the power link (I). Retain all parts and note the location of the nylon washers (K).
7. Using a 9/16" wrench, hold screw (D) while loosening nuts (E) with a ratchet wrench and a 9/16" socket. This disconnects the elevation frame section from the elevation arm. Retain all parts and note the location of the nylon washers (C).



**WARNING REMOVE THE BOLTS CAREFULLY.
THE BASE FRAME WILL GO DOWN. HOLD IT CAREFULLY.**

8. Using a ratchet wrench and a 5/8" socket, loosen screws (B) connecting the elevation frame section to the upper frame, then remove the assembly. Support the assembly while removing the last screw and note the position of the nylon washers (C).
9. Reverse the above steps to install the new base frame.
10. Verify that high/low mechanism is functioning properly before returning the bed to service.

TECHNICAL ASSISTANCE AND PARTS

- info@rotecbeds.com
- 1-450-783-6444
- 1-450-783-6446

123 rue de l'Église, Baie-du-Febvre, QC J0G 1A0 Canada

Publication : 2025-04-01