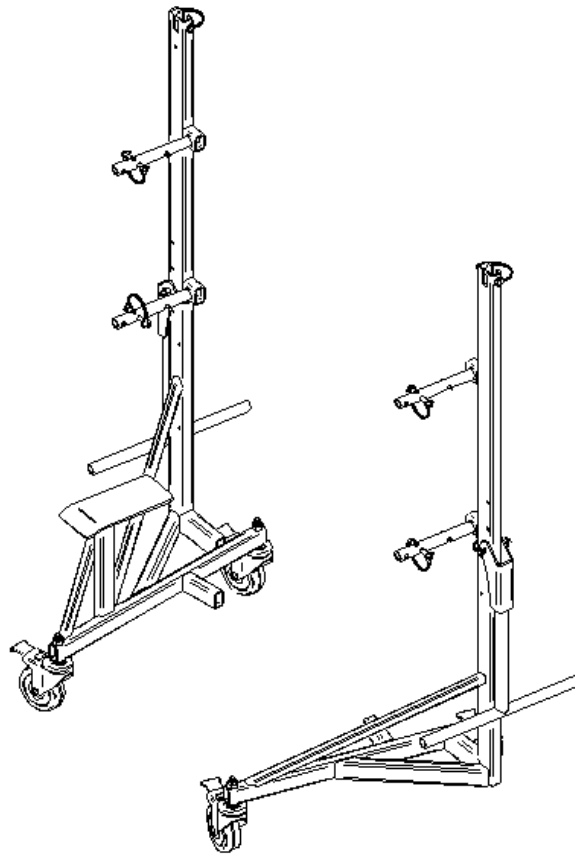


FOR INSTALLING THE TRANSPORT CART ON THE ROTECH VERSATECH BEDS



KEEP THIS SHEET AND INSERT IT INTO THE USER MANUAL

Do not install or use accessories without having first read this sheet in full. Please follow these instructions carefully. Rotec cannot be held responsible for any damage or injury caused by negligence or improper use of our products. Illustrations are for reference only.

SPECIFICATIONS

Model:	CTR-1201
Device Weight:	17 lb / 6.8 kg / 25 lb / 11.4 kg
Overall Dimensions:	45 3/8" x 23" x 11" 115.3 cm x 58.4 cm x 27.9 cm
Maximum Load:	263 lb / 580 kg
Coating Type:	Baked enamel steel

TECHNICAL SUPPORT AND PARTS

450 783-6444

info@rotecbeds.com

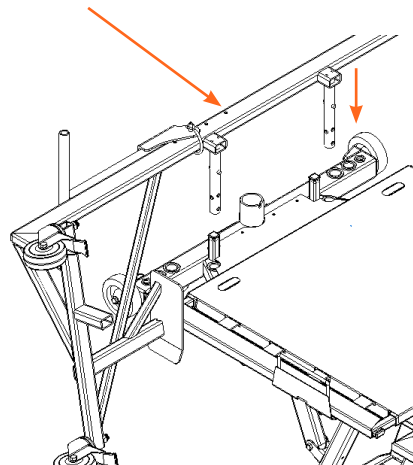
420 Marie-Victorin Road, Baie-du-Febvre JOG 1A0, Québec, Canada

INSTRUCTIONS TO INSTALL THE TRANSPORT CART ONTO THE VERSATECH BEDS

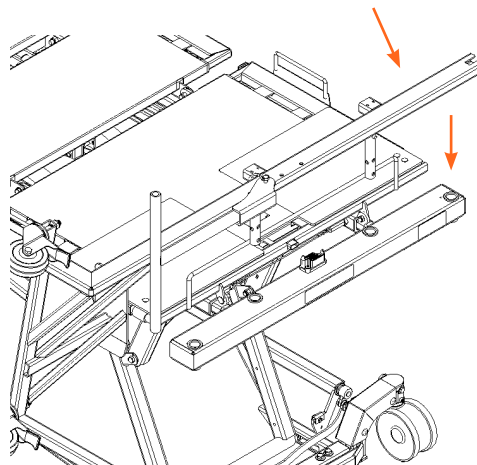
REQUIRED MATERIALS: NONE

- 1 Insert the carts into the bushings as indicated.

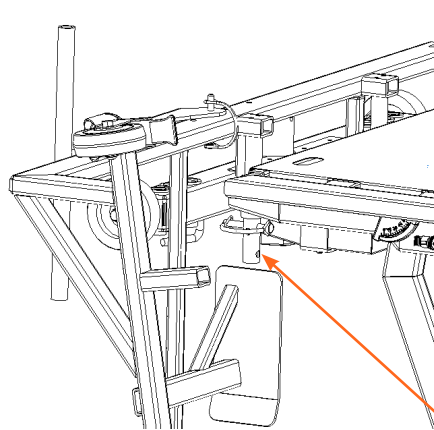
Orange



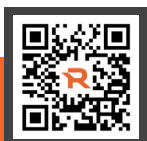
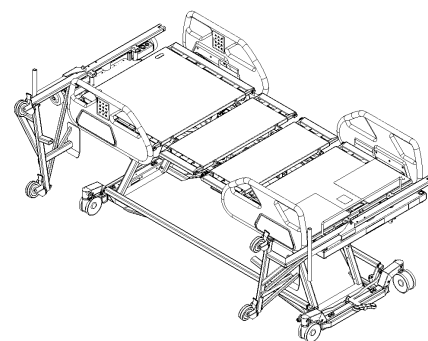
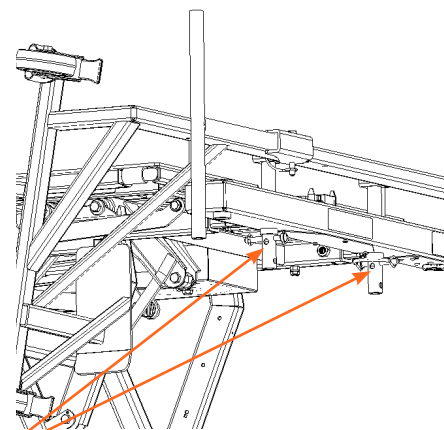
Black



- 2 Insert the pins (4).



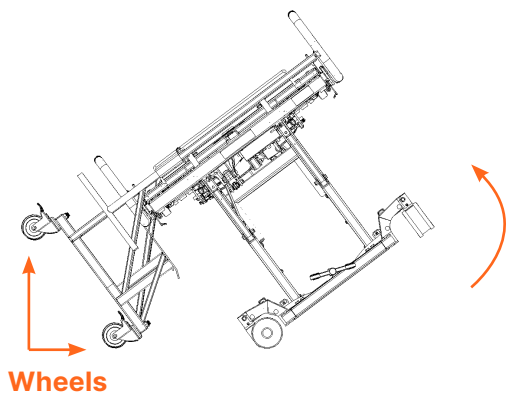
Pins



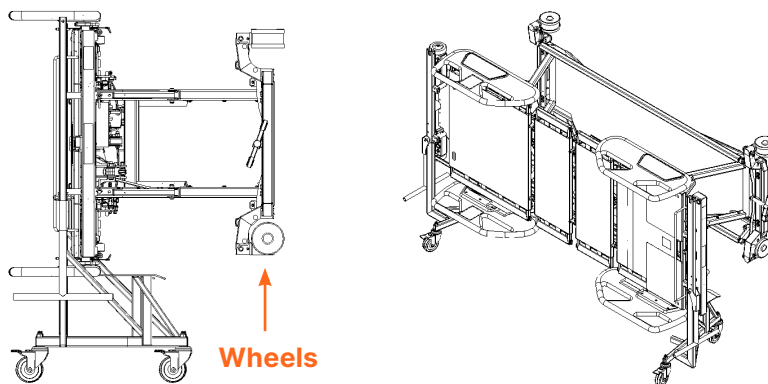
Scan this QR code to access comprehensive video tutorials.

INSTRUCTIONS TO INSTALL THE TRANSPORT CART ONTO THE VERSATECH BEDS

- 3** Apply the brakes on both the carts and the bed. Make sure the wheels are facing the correct direction. Tilt the bed. It is recommended not to do this task alone. Ensure the bed is at its maximum height to make the maneuver easier.



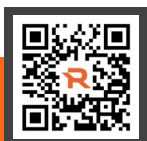
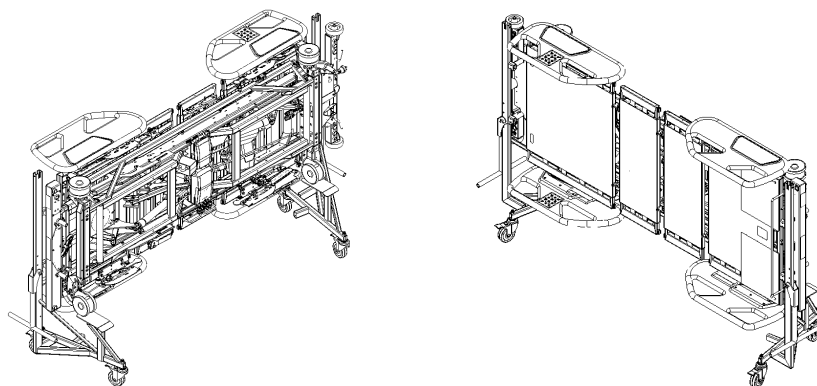
- 4** Position the bed wheels as shown.



- 5** Finally, use the bed controls to lower it to its lowest position.



- 6** The cart is now properly installed.



Scan this QR code to access comprehensive video tutorials.