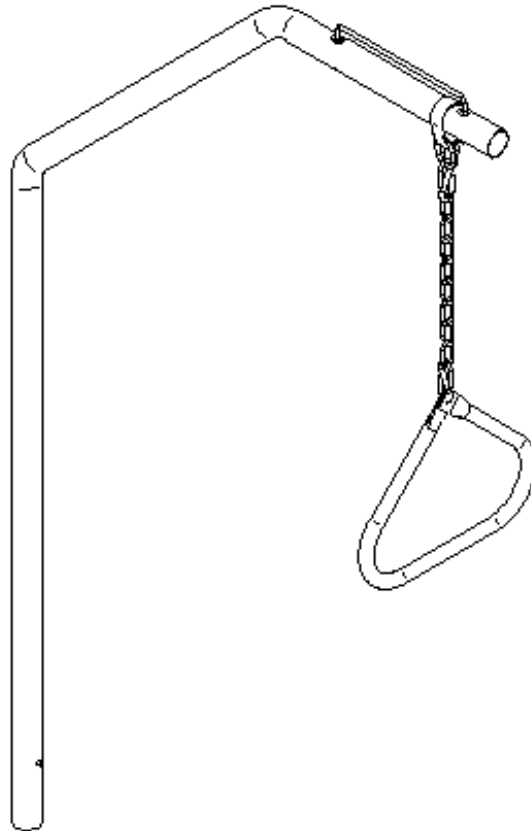


FOR INSTALLING THE TRAPEZE BAR ON THE ROTECH VERSATECH BEDS



KEEP THIS SHEET AND INSERT IT INTO THE USER MANUAL

Do not install or use accessories without having first read this sheet in full. Please follow these instructions carefully. Rotec cannot be held responsible for any damage or injury caused by negligence or improper use of our products. Illustrations are for reference only.

SPECIFICATIONS

Model:	TPZ-1000
Device Weight:	23 lb / 11 kg
Overall Dimensions:	67 7/16" x 38 3/8" x 1 3/4" 171.3 cm x 97.5 cm x 4.4 cm
Maximum Load:	77 lb / 170 kg
Coating Type:	Powder-coated steel

TECHNICAL SUPPORT AND PARTS

450 783-6444

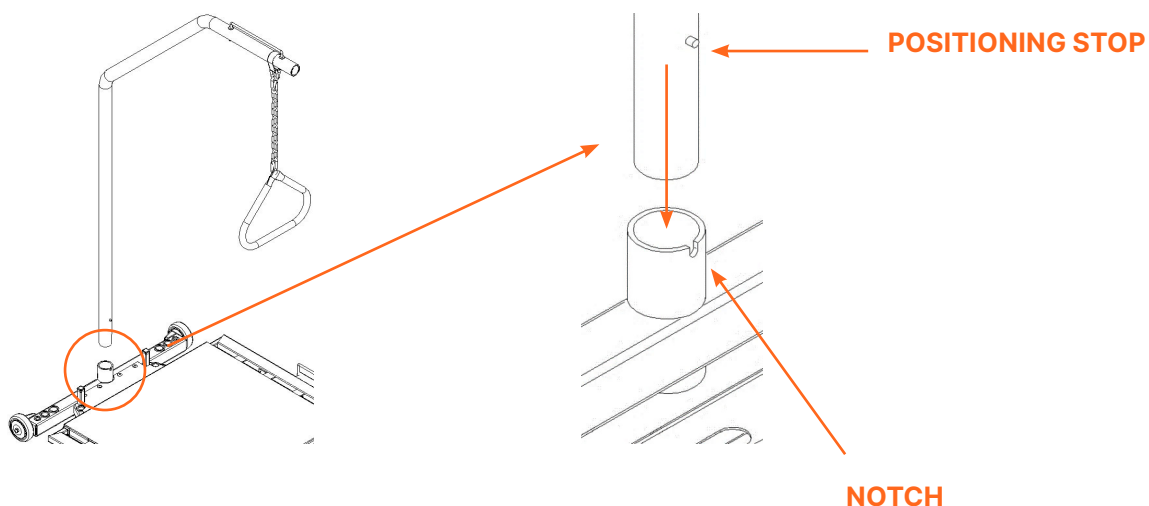
info@rotecbeds.com

420 Marie-Victorin Road, Baie-du-Febvre JOG 1A0, Québec, Canada

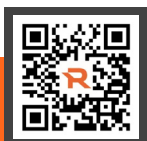
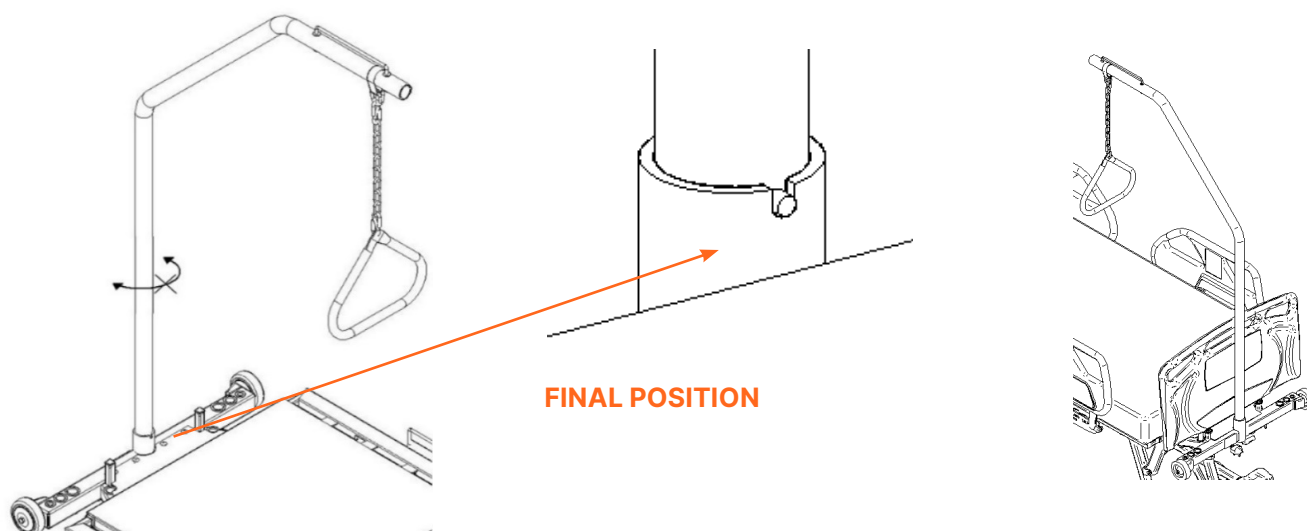
INSTRUCTIONS FOR INSERTING THE TRAPEZE BAR ON THE VERSATECH BEDS

REQUIRED MATERIALS: NONE

- 1** **Insert** the trapeze bar into its receiver, ensuring the positioning stop is aligned with its notch. Designed for Rotec brand trapeze bars.



- 2** **Ensure** the trapeze bar is correctly inserted by trying to rotate it.



Scan this QR code to access comprehensive video tutorials.