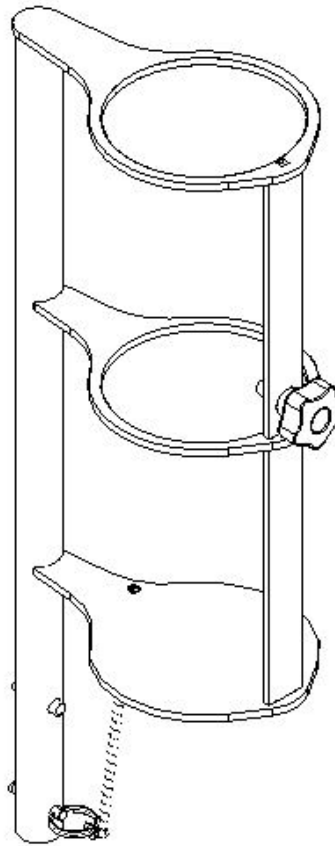


FOR INSTALLING THE OXYGEN TANK HOLDER ON THE ROTECH VERSATECH BED



KEEP THIS SHEET AND INSERT IT INTO THE USER MANUAL

Do not install or use accessories without having first read this sheet in full. Please follow these instructions carefully. Rotec cannot be held responsible for any damage or injury caused by negligence or improper use of our products. Illustrations are for reference only.

SPECIFICATIONS

Model:	SUP-3000
Device Weight:	4 lb / 1.8 kg
Overall Dimensions:	21 1/4" x 5" x 9 1/2" 54 cm x 12.7 cm x 24.13 cm
Maximum Load:	50 lb / 22.7 kg
Coating Type:	Baked enamel steel

TECHNICAL SUPPORT AND PARTS

450 783-6444

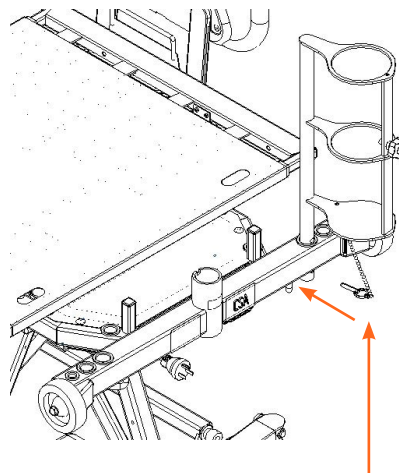
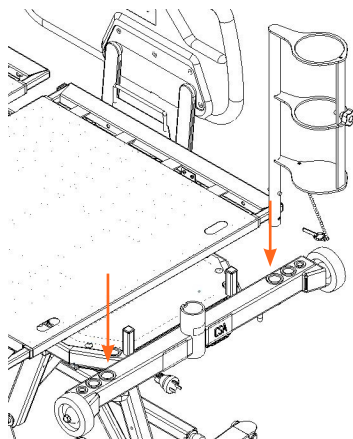
info@rotecbeds.com

420 Marie-Victorin Road, Baie-du-Febvre JOG 1A0, Québec, Canada

INSTRUCTIONS TO INSERT THE HOLDER ON THE VERSATECH BEDS

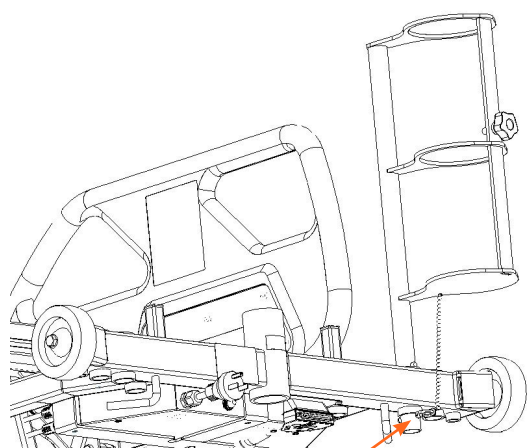
REQUIRED MATERIALS: NONE

- 1 **Insert** the holder into the bushings as indicated

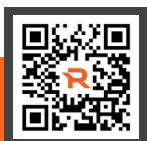


Pin

- 2 **Insert** the pins.



Pin



Scan this QR code to access comprehensive video tutorials.