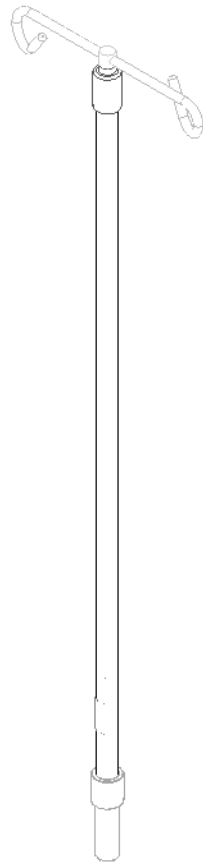


## FOR INSTALLING THE IV POLE HOLDER ON THE ROTECH VERSATECH BEDS



### KEEP THIS SHEET AND INSERT IT INTO THE USER MANUAL

Do not install or use accessories without having first read this sheet in full. Please follow these instructions carefully. Rotec cannot be held responsible for any damage or injury caused by negligence or improper use of our products. Illustrations are for reference only.

### SPECIFICATIONS

Model:	SUP-1001
Device Weight:	2 lb / 0.9 kg
Overall Dimensions:	37 1/8" x 7 3/4" x 2 1/2" 94.3 cm x 19.7 cm x 6.4 cm
Maximum Load:	22 lb / 10 kg
Coating Type:	Stainless steel

### TECHNICAL SUPPORT AND PARTS

450 783-6444

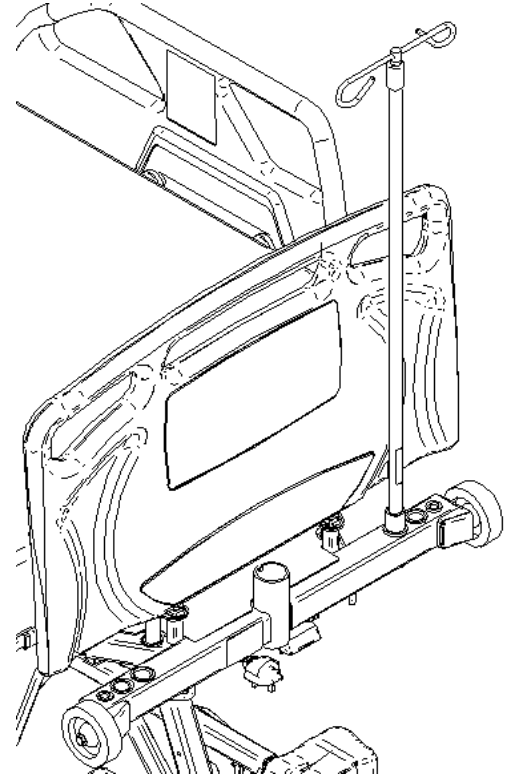
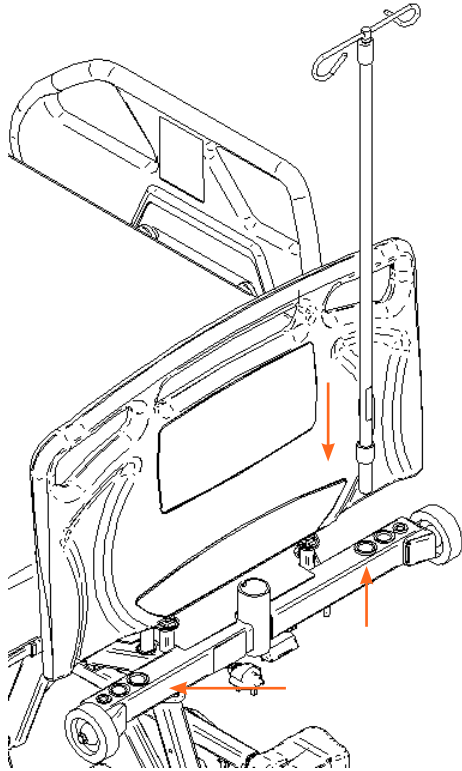
[info@rotecbeds.com](mailto:info@rotecbeds.com)

420 Marie-Victorin Road, Baie-du-Febvre JOG 1A0, Québec, Canada

# INSTRUCTIONS TO INSERT THE HOLDER

## REQUIRED MATERIALS: NONE

- 1 **Insert** the holder into the bushings as shown.



Scan this QR code to access comprehensive video tutorials.